

CANTILEVER

S H E L V I N G S Y S T E M S



DESIGN FEATURES

Due to their rugged strength and pleasing aesthetic design, Spacesaver Cantilever Shelving and Library Media Display Shelving are ideal for academic, corporate, public and legal libraries, as well as may general office applications.

UNLIMITED SHELVING OPTIONS Designed to adapt to both stationary and mobile storage applications, Spacesaver Cantilever Shelving (also known as Bookstack) offers you a comprehensive range of options and storage accessories to meet your specific needs and accommodate a wide array of media formats.

HEAVY-DUTY SHELVING CONSTRUCTION Spacesaver Cantilever Shelving Systems are engineered for stability, strength and rugged functionality. Their sturdy, heavy-gauge steel, welded-frame construction meets or exceeds American Library Association standards for structural integrity.

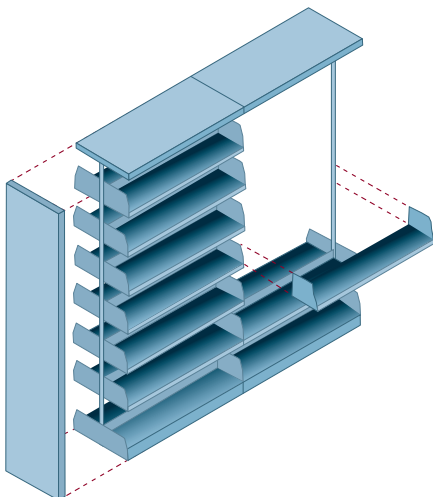
ANTI-TIP PROTECTION Our Cantilever Shelving Systems can be equipped with overhead tie devices engineered for mobile or stationary applications or floor anchored to help comply with seismic requirements, providing an extra measure of system stability and safety – even in areas prone to earthquakes.

ABILITY TO RECONFIGURE/EXPAND SYSTEM Easily assembled, disassembled and reassembled, Spacesaver Cantilever Shelving Systems are designed to conveniently reconfigure, relocate or expand as your storage needs change.

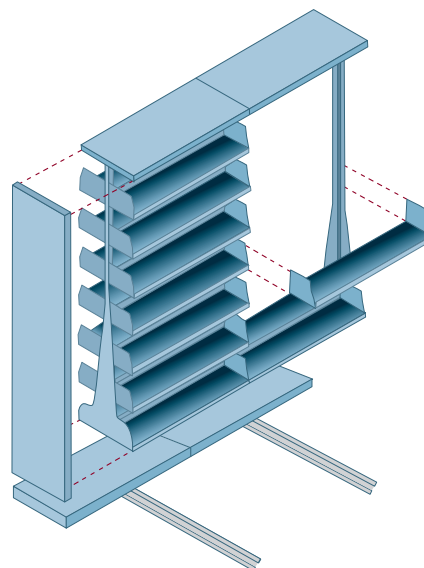
WIDE ARRAY OF DESIGN OPTIONS Your design options are virtually unlimited. Spacesaver Cantilever Shelving Systems are available in an imaginative range of colors, as well as end panel materials and finishes to complement and match any décor.

DURABLE PAINT FINISHES Spacesaver's powder-coat paint finishes are extremely durable, meeting or exceeding the stringent scuff, scratch and chip requirements of the American Library Association.

STATIONARY CANTILEVER SHELVING



MOBILE CANTILEVER SHELVING





WELDED-FRAME SHELVING UPRIGHTS

Fully welded steel frame with 14-gauge uprights provides superior strength. No cross-bracing is required. Frame will accept most types of existing cantilever shelves. Optional mid-frame tubular spreaders are available for seismic compliance.



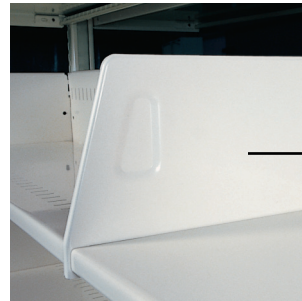
TRIPLE-BEND SHELF CONSTRUCTION

Far stronger than conventional double-bend fabrication. Eliminates sharp exposed edges for user and media safety.



INTERLOCKING SHELF END BRACKETS

Smooth, clean design with rounded edges to help prevent book "knifing." Interlocking tabs lock shelves securely to uprights.



GUSSET

To help meet seismic requirements, a metal gusset is welded to the base support and bolted to the upright, providing added strength and rigidity in both mobile and stationary shelving configurations.



LOCATION INDICATORS

For easy shelf alignment, indicator holes are spaced every 6" (150 mm). Shelf height is fully adjustable in 1" (25 mm) increments.





BASE SHELF

Fixed base shelf with integral 3" (75 mm) kickplate for stationary applications. For mobile systems, the base shelf can be replaced with a 1" (25 mm) adjustable shelf, providing 2" (50 mm) of additional storage height.



SHEAR TABS

Exclusive interlocking shear tabs securely join the base support to the frame for maximum stability, providing a more secure mount than conventional "wrap around" design.



MAXIMUM FLEXIBILITY

CANTILEVER SHELVING SPECIALTY SHELVES & ACCESSORIES



ZIG-ZAG DISPLAY BACKSTOP
For merchandising a variety of audio-visual and paperback media.



PULL-OUT REFERENCE SHELF
For convenience in referencing shelved materials. 50 lb. (23 kg) load capacity.



MULTIMEDIA SHELF
Each shelf will hold approximately 26 VHS tapes or 80 CDs. Can also be used to store paperback media.



TWO-TIER SLOPED VHS & CD SHELF Each 36" (914 mm) shelf holds approximately 56 VHS tapes (28 per tier) or 168 CDs (84 per tier).



MEDIA BAG RACK
Designed to hang large or small media bags from a 36" (914 mm) hanger rod.



FLAT STORAGE SHELF
Includes end brackets – can also be used for storage under a fixed display shelf.



FIXED DISPLAY SHELF
11" (279 mm) high – sloped display for merchandising of books, tapes and periodicals.



PERIODICAL DISPLAY SHELF (CLOSED) Hinged with plexiglass cover. Sloped display is 14" (355 mm) high. Flat storage shelf is 12" (305 mm) deep.



PERIODICAL DISPLAY SHELF (OPEN) Hinged and sloped display surface is 14" (355 mm) high. Flat storage shelf is 12" (305 mm) deep.



HANGING WIRE SUPPORT

Squeeze type, available in three sizes for five different shelf depths.



SNAP-IN HANGING WIRE SUPPORT

Available in four different sizes.



INTEGRAL LOW-BACK

DIVIDERS For low-back shelves, available in three sizes for five different shelf depths.



STEEL BOOK SUPPORTS

Available as:
(A.) findable book supports,
(B.) flat book ends, or
(C.) clip-on book supports.



MULTIMEDIA BROWSING BOX

Each 36" wide (914 mm) unit stores approximately 42 VHS tapes or 100 CDs. Retractable version also available.



TWO-TIER MULTIMEDIA

BROWSING BOX Divider type – each 36" wide (914 mm) unit stores approximately 48 VHS or 110 CDs.



TWO-TIER AUDIO CASSETTE TAPE SHELF

Each 36" (914 mm) shelf holds approximately 100 audio cassette tapes (50 per tier).



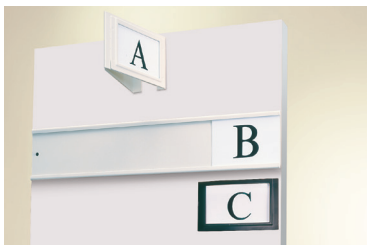
SIX-TIER NEWSPAPER RACK

Efficiently displays up to six newspapers for easy identification and retrieval.



SLOPED ADJUSTABLE SHELVES WITH INTEGRAL LOW-BACK

DIVIDERS Shelf is sloped to aid viewing of displayed items. Unit is compatible with integral low-back dividers. CDs (84 per tier).



AISLE IDENTIFICATION

OPTIONS Optional range finders and card holders make locating and reshelving of materials fast and easy.



CANOPY LIGHT

Illuminates display shelves and brightens dimly lit alcoves. Includes white prismatic diffuser.



OFFSET CENTERSTOP

Eliminates the need for two independent shelf backstops. Can increase shelf depth by 1" (25 mm).

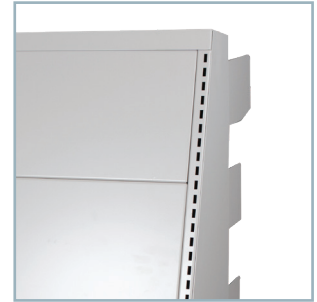




LIBRARY MEDIA DISPLAY SHELVING

UPRIGHT CONSTRUCTION

Fully welded steel frame provides superior strength. Backpanel tiles provide a clean finish for the shelving. Available in two upright types; single faced or double faced and two widths; 36" and 39". Shelving can be placed within 1" increments.



ZIG-ZAG SHELF

Promote the newest books or media collection in a variety of direction with the zig-zag shelf. This shelf comes with out a lip (as shown) or with a lip to keep items on the shelf.



NEW BOOK DISPLAY SHELF

Each 36" wide shelf can hold 6 books.
Each 39" wide shelf can hold 7 books.



PERIODICAL DISPLAY SHELF

Each 36" wide shelf can hold 10 periodicals.
Each 39" wide shelf can hold 11 periodicals.



CD/DVD BROWSER SHELF

Merchandise your media collection with these shelves that are available in sloped or parallel configurations.





SIGN HOLDER

Optional feature. Choose from Sign Board Holder Kit (top) or Acrylic Sign Holder Kit (bottom)

FACE OUT DISPLAY SHELF (NOT SHOWN)



FLAT SHELF WITH INTEGRAL END BRACKETS (NOT SHOWN)



OPTIONAL CASTERS



FACE OUT DISPLAY SHELF WITH DETACHABLE END BRACKETS



THE **BOTTOM-LINE** QUESTION

WHY SPACESAVER?

Through our extensive network of local Area Contractors, Spacesaver provides an unbeatable level of experience and competency. From architectural constraints and system design to book moves and floor-loading, we possess the expertise to handle every issue and customer concern.

A shelving solution that meets your unique criteria. Single-source turn-key project management. Certified system installation. Ongoing maintenance and support. Spacesaver sets a standard of professionalism, performance and responsiveness that is unmatched. We live up to our customer commitments and have the references to prove it.

You can rely on The Spacesaver Group.

ASK US FOR A PROFESSIONAL ASSESSMENT OF YOUR SHELVING NEEDS

Spacesaver's team of experienced Area Contractors are proven problem solvers who will make invaluable contributions to your planning process. For a qualified professional assessment of your shelving needs, give us a call at 1-800-492-3434. There is no cost or obligation.



Spacesaver Corporation
1450 Janesville Avenue
Fort Atkinson, WI 53538-2798
800.492.3434
www.spacesaver.com