



PRODUCT SUPPORT GUIDE

**Roll Formed and Structural Cantilever
Columns and Arms**



Structural Cantilever Columns and Arms

		36	Arms for Wood Decks
4	Cantilever Introduction	40	Arm Add-on Options
5	Structural Cantilever Overview	42	U-Lock Pin
6	Overall Rack Dimensions	43	Diagonal Bracing Sets Scheme 1
7	Medium-Duty Cantilever	45	Diagonal Bracing Sets Scheme 2
8	Base W... U...	47	Diagonal Bracing Sets Scheme 3
9	Arm M S 3x5.7 U	50	Diagonal Bracing Sets Scheme 1 Reference Bill of Material
10	Heavy-Duty Cantilever	52	Diagonal Bracing Sets Scheme 2 Reference Bill of Material
11	Base W... U...	54	Diagonal Bracing Sets Scheme 3 Reference Bill of Material
12	Arms, Arm P S... U	58	Horizontal Brace
13	Accessories, Pipe Stop Assembly, Arm Spacing Distances		
14	Struts		

Roll Formed Cantilever Columns and Arms

18	Roll Formed Cantilever Description & Sizes
19	Roll Formed Upright
26	Roll formed Base
31	Standard Arms

Cantilever Introduction

Advantages of Structural Cantilever

- Open, adjustable design is less restrictive than other systems
- Heavy and resistant to damage
- Capable of supporting the tallest cantilever systems
- The only efficient system for storing long or bulky items

Cantilever racking is specifically designed to store items with long or varied lengths, such as metal beams, pipes, molding, wooden boards, metal and plastic sheets and a wide range of other materials.

The system consists of columns connected with horizontal and X braces. A series of arms are attached to the columns (uprights) and loads are placed on the arms.

Loads may be handled manually when they are lightweight, or by using lift trucks or other appropriate lifting systems when heavy items are involved.

The Cantilever shelves are especially designed to store extra long loads and are continuous with no vertical dividers.

It is necessary to consider the weights and dimensions of the loads when designing a Cantilever system.

Height - Allows one to know the vertical entry levels. This height will be increased between 6" and 10" to determine a hollow weight, sufficient to the combination of weight and the element of elevation.

This 3-D dimension of 9" or 12" depends on the height of the arm and the space that is desired between product and arm on the upper level.

Depth - Determines the length of the necessary arm, that will normally be longer than the product stored.

Cases exist where this rule will not apply. In the case of product, like lumber or flat sheets, the product can extend out from the arm. Contact your IKMX representative for details.

Length - The length and deflection of the product will determine the number of supporting arms. This number of supports will also indicate the number of columns that are needed.

In function with the geometry of the Cantilever shelving unit we can distinguish between:

- Cantilever type Single Sided (L): Shelving that can only be loaded on one side.
- Cantilever type Double Sided (C): Shelving that can be loaded from both sides.

Glossary

Bay - Group formulated for 2 consecutive columns and the loaded levels (bases + arms).

Loaded Level - Height at which loads can be deposited or hung. There are various levels and the first level is the base of the shelving unit.

Combination Load - Fraction of a load or product that manipulates unitarily.

Cavity - Comprise volume between two loaded levels of one module, good for use with shelving combined loads.

Rows - Shelving formed for various modules united by horizontal and vertical braces.

Structural Cantilever Overview

Structural Components

Interlake Mecalux has developed both medium and heavy-duty cantilever racking systems to cover all market needs.

The choice of the most appropriate system depends on the characteristics of the product to be stored – particularly the product’s weight, size and height.

Columns for Structural Cantilever

The Structural Cantilever columns are manufactured using either medium duty models (W6”x 9 or W6”x 12) or heavy duty models (W8”x 13, W8”x 15, W8”x 18 or W10”x 19).

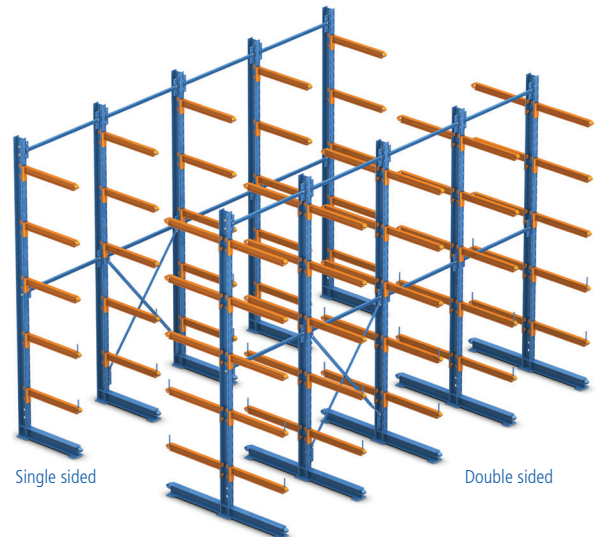
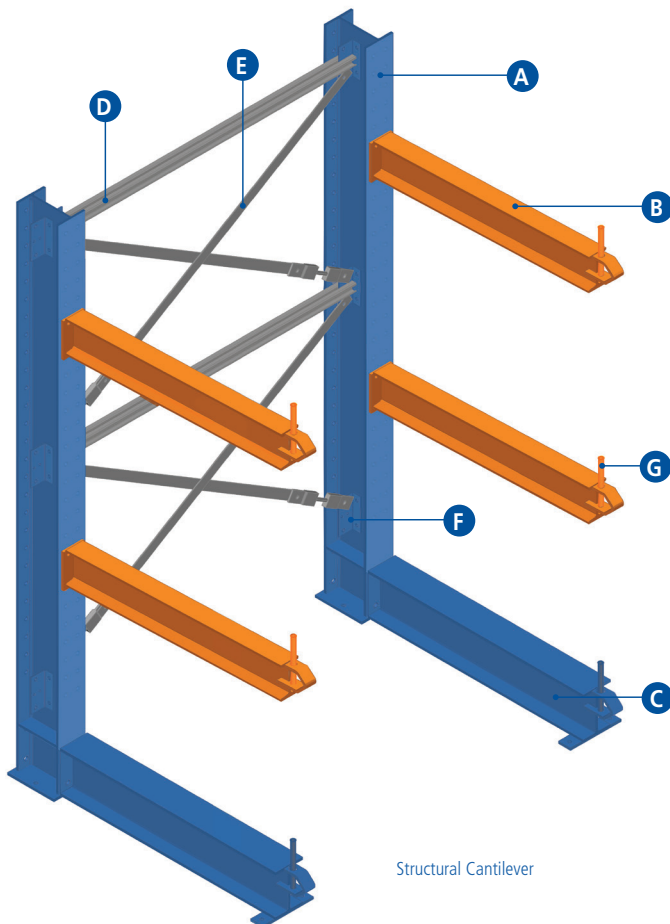
Every column model comes with punch holes for positioning, allowing bolted arms to be placed in 3” intervals and for the joints and cross bracing to attach to the core at specific points.

Single-sided Cantilever

Single-sided Cantilever is normally placed against the walls with access from one side only.

Double-sided Cantilever

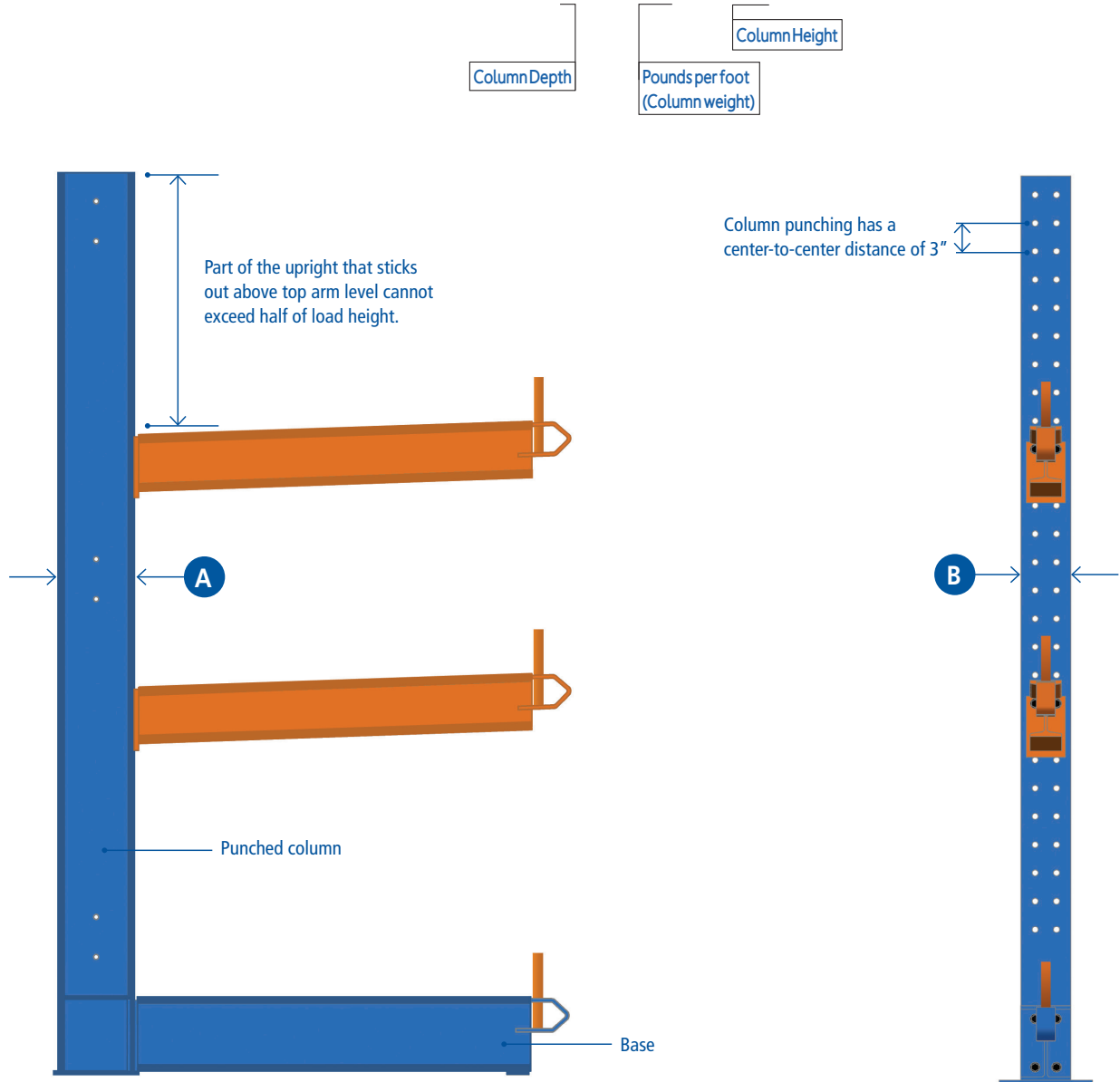
Double-sided Cantilever can be used as an alternative which allows access from both sides.



- A. Column
- B. Arm
- C. Base
- D. Horizontal bracing
- E. Cross bracing (X-bracing)
- F. Bolted bracing tab
- G. Pipe stop (optional)

Overall Rack Dimensions / Product Description

COLUMNS CW 6"X 12 U 16'



Upright Model

	W6"X 9	W6"X 12	W8"X 13	W8"X 15	W8"X 18	W10"X 19
A	5.9"	6.03"	7.99"	8.11"	8.14"	10.24"
B	3.94"	4"	4"	4.02"	5.25"	4.02"

Medium-Duty Cantilever

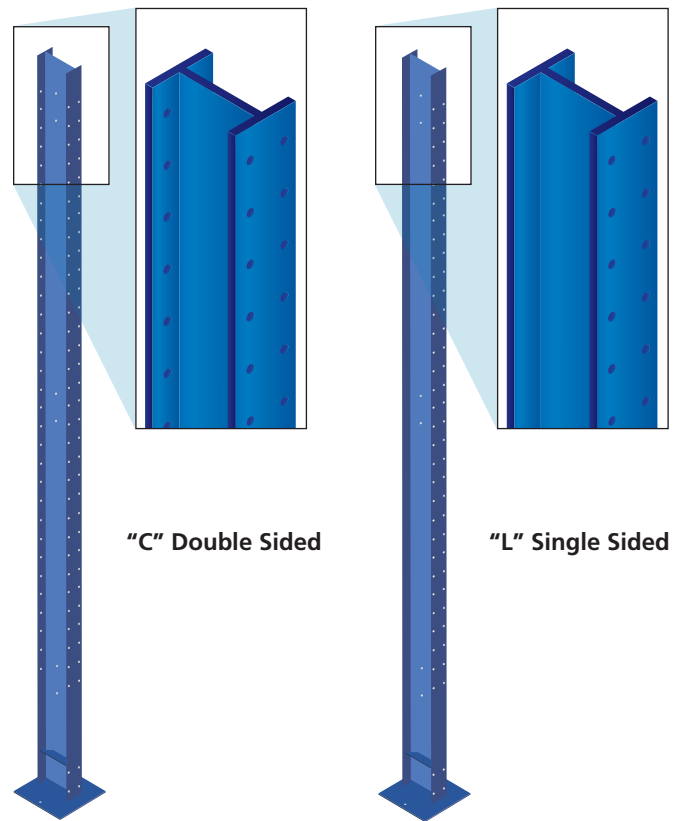
Double and Single Sided Columns

Made with W6" profiles with holes punched on one flange to create a single sided column (L) or holes punched on both flanges to create the double sided column (C), which have been welded to the base plate for slab attachment.

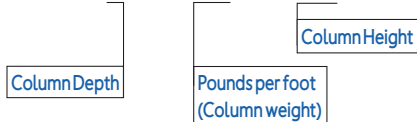
Two models exist: W6" X 9 and W6" X 12,

The holes punched on 3" vertical centers allow the positioning of the arms to the maximum required loads.

- Available in a standard blue finish
- Standard heights are: 8', 10', 12' and 14' with the addition of a 1/4" base plate.
- It is attached to the slab using 2 ANCHOR U BOLTS MKD W1/2X1 3/16" (T0037345).



COLUMNS C W 6" X 12 U 16'



Medium-Duty Shims

SHIMS COLUMN U 8" (T0057329)

Shims are located beneath the columns to level the frame.

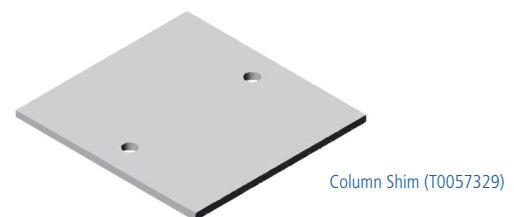
One or more shim is required per column.

- Available in a galvanized finish.

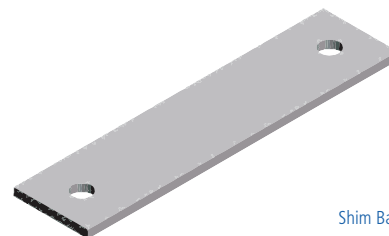
SHIMS (T0057326)

Shims are located beneath the medium duty Cantilever to level the frame. One or more shim is required per base.

- Available in a galvanized finish.



Column Shim (T0057329)



Shim Base Plate (T0057326)

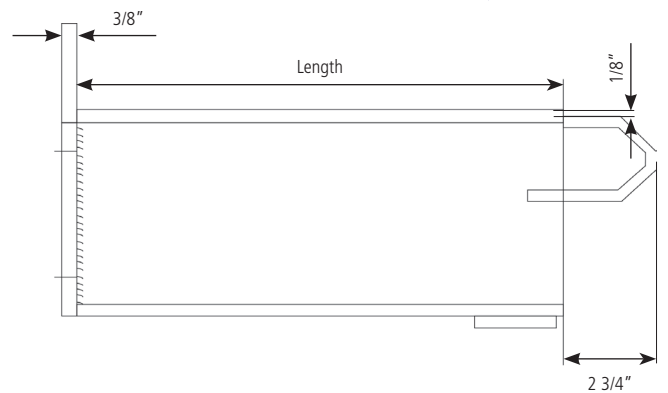
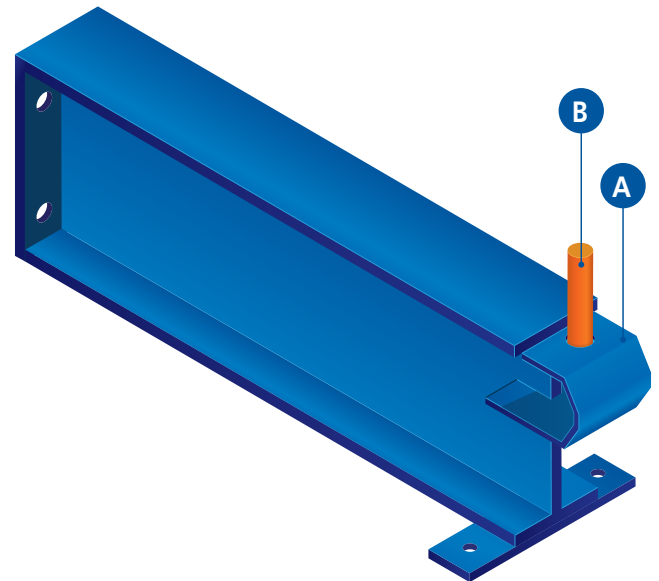
Base W6"X... U...

The aisle end of the assembly consists of a welded bull nose (A) with a 7/8" hole to accept a 7/8" pipe stop assembly (B).

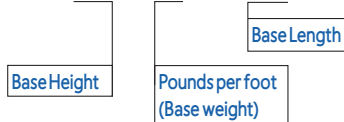
Made with the same structural profile as the columns. 2 plates have been welded to the base, one to be attached to the column by means of 4 BOLTS W5/8X1 7/ 8" D931 G5 Z TA2A (T0057833) and the other to anchor to the floor using 2 ANCHOR U BOLTS MKD W1/2X1 3/16" (T0037345).

When the base is attached to the column it becomes the first storage level of the system.

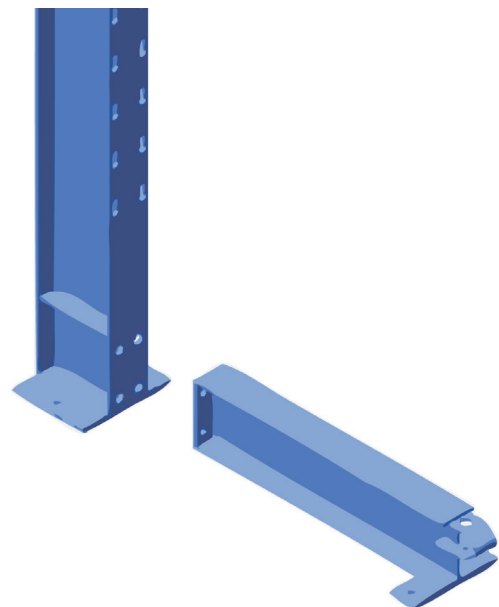
- Available in a standard blue finish



BASE W 6" X 9 U 36"



Base Length (Inches)	Column base type	Part #	Column base type	Part #
14"	W6"X 9	T0057289	W6"X 12	T0057295
18"		T0061312		T0061315
20"		T0057290		T0057296
24"		T0057291		T0057297
30"		T0057292		T0057298
36"		T0057293		T0057299
40"		T0057294		T0057300
42"		T0061313		T0061316
54"		T0061314		T0061317
60"		T0061319		T0061318

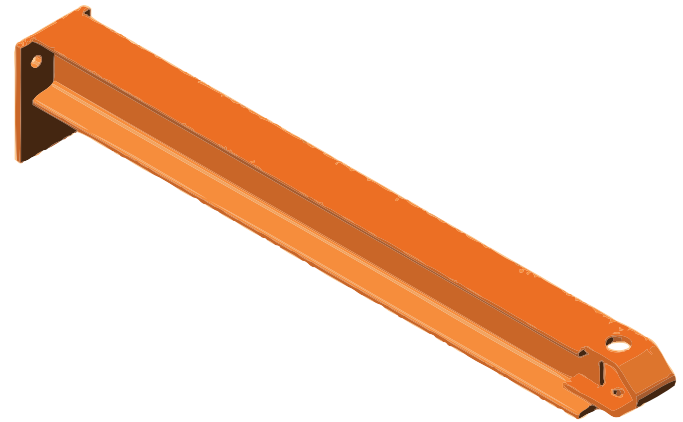


Arm M S3"X5.7 U

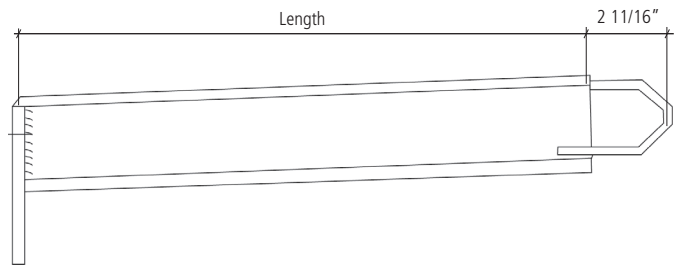
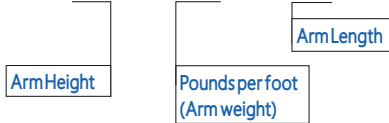
The Arms consist of three pieces formed for one profile section S3"X 5.7, one end has a bull nose with a hole to attach a pipe stop, the other end has a connection plate with two holes to attach the arm.

Each arm is attached to the column with two BOLTS W1/2X1 9/16" D933 G5 Z TA2A (T0057831).

- Available in a standard orange finish
- Medium-Duty arms are not compatible with Heavy-Duty Cantilever columns

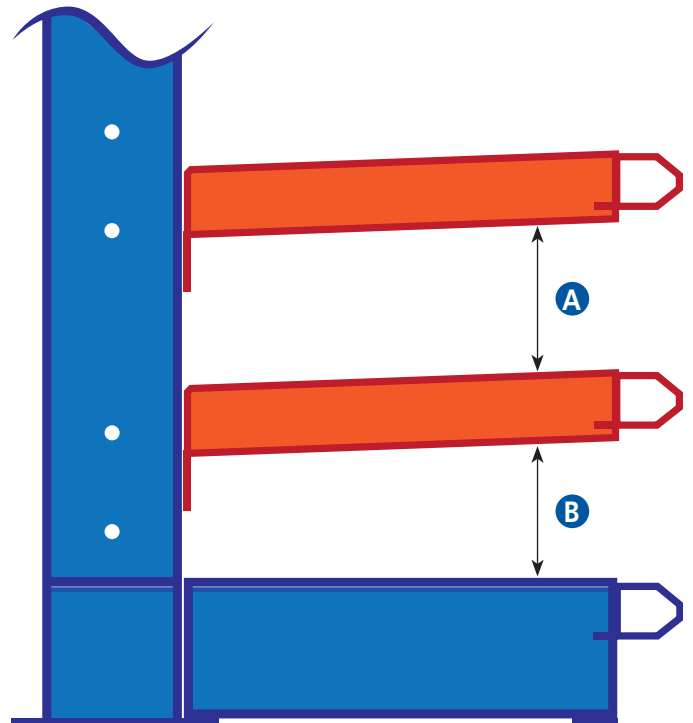


ARM M S3"X 5.7 U 36"



Arm Length (Inches)	Part #
14"	T0057283
18"	T0061308
20"	T0057284
24"	T0057285
30"	T0057286
36"	T0057287
40"	T0057288
42"	T0061309
54"	T0061310
60"	T0061311

MINIMUM DISTANCES		
A	Minimum distance between arms	3"
B	Minimum distance between arm and base	8"



Heavy-Duty Cantilever

Columns have a welded Base Plate with 2 anchor holes, which require (2) 1/2" x 4 1/4" anchors (T0034139).

The utilized profiles are:

W8"X 13 / W8"X 15 / W8"X 18 / W10"X 19

Standard heights are: 8', 10', 12', 14', 15', 16', 17', 18', 20', 24', 30', 36' and 40' with the addition of a 3/8" base plate.

- Columns are used to attach arms.
- Available in a standard blue finish.

Single Sided (Column "L")

They are formed from structural steel, with hot rolled profiles with holes punched on one side at 3" centers, column profiles differ depending on the supporting load.

Double Sided (Column "C")

They are formed with the same profile as the single sided columns, although this one has both sides punched to attach the Arms P S...X U... to each side of the column.

Heavy-Duty Shims

SHIMS COLUMN U...

Rectangular shims of 1/8" (11 gauge) thickness to help level the columns. Shim dimensions depend on the size of the column.

- Available in a galvanized finish.

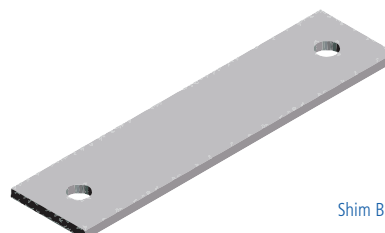
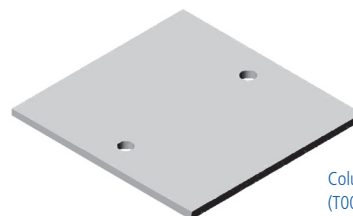
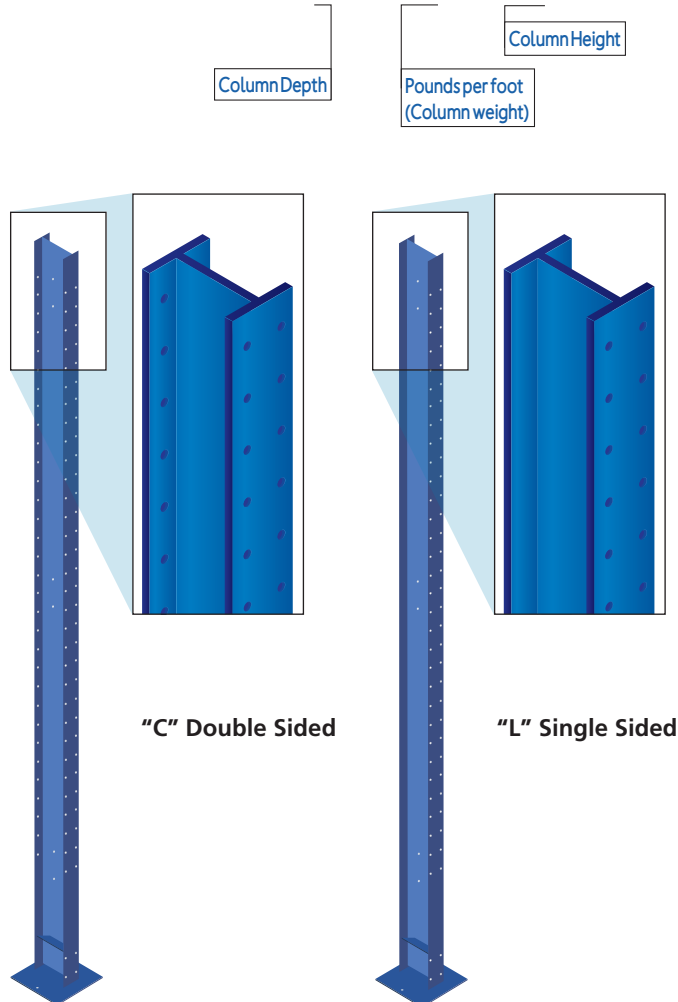
Column Profile	Shims	Part #
W8"X 13	Shims U 8"	T0057329
W8"X 15		
W8"X 18		
W10"X 19	Shims U 10"	T0057330

SHIMS BASE P U (T0057331)

Rectangular shims of 1/8" (11 gauge) thickness serve to level the base with the floor.

- Available in a galvanized finish.

COLUMNS C W 8"X 15 U 24'

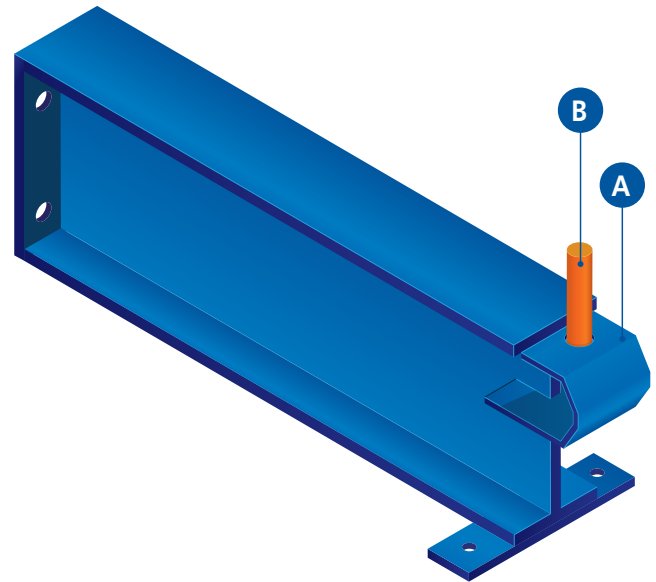


Base W...X...U...

The system's Cantilever bases consist of the following components:

The aisle end of the assembly consists of a welded bull nose (A) with a 7/8" hole to accept a 7/8" pipe stop assembly (B).

The base W U is secured to the ground by 2 Anchor Bolt U MSA W1/2X4 1/4" (T0034139) and the column with 4 Bolts W3/4X2 5/ 8" D931 G5 Z TA2A A (T0057832).



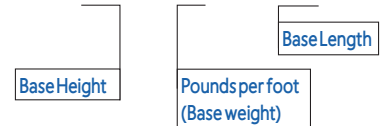
The following base lengths are standard:

18", 20", 24", 30", 36", 40", 42", 48", 54", 56", 60", 64" and 100"

Bases W U for Single sided shelving system are attached to one side of the column. While double sided shelving systems require 2 bases.

- Available in a standard blue finish

BASE W 8"X 15 U 40"



Base Length (Inches)	Column base type	Part #	Column base type	Part #	Column base type	Part #	Column base type	Part #
18"	8"X 13	T0060282	8"X 15	T0060286	8"X 18	T0060290	10"X 19	T0060294
20"		T0057332		T0057341		T0057350		T0057359
24"		T0057333		T0057342		T0057351		T0057360
30"		T0057334		T0057343		T0057352		T0057361
36"		T0057335		T0057344		T0057353		T0057362
40"		T0057336		T0057345		T0057354		T0057363
42"		T0060283		T0060287		T0060291		T0060295
48"		T0057337		T0057346		T0057355		T0057364
54"		T0060284		T0060288		T0060292		T0060296
56"		T0057338		T0057347		T0057356		T0057365
60"		T0060285		T0060289		T0060293		T0060298
64"		T0057339		T0057348		T0057357		T0057366
100"		T0057340		T0057349		T0057358		T0057367

Arms P S...X... U...

These are the horizontal members of Cantilever system that form the load levels. They are attached to single or double sided columns to support the loads.

Are formed from structural steel that can vary depending on the arm's length and the load being stored.

The standardized profiles are:

S3"X 5.7 / S4"X 7.7 / S5"X 10 / S6"X 12.5

Arms consist of the following:

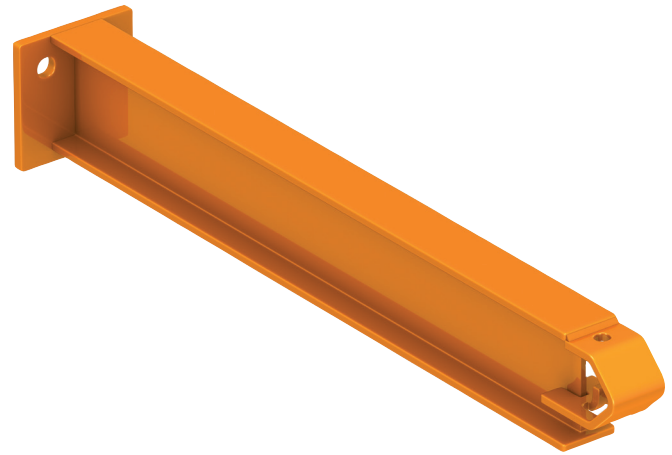
Welded connection plates that have (2) 5/8" holes to connect the arms to the column (2 BOLTS W5/8X1 7/ 8" D931 G5 Z TA2A – T0057833)

T

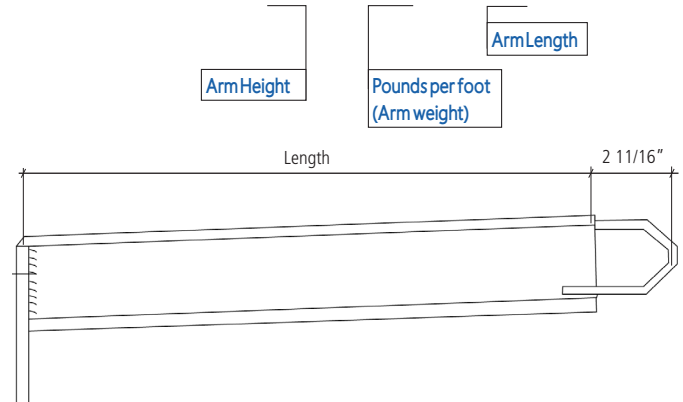
These lengths have been standardized:

18", 20", 24", 30", 36", 40", 42", 48", 54", 56", 60", 64" and 100"

- Available in a standard orange finish
- Heavy-Duty arms are not compatible with Medium-Duty Cantilever columns



ARMS P S4"X 7.7 U 48"



Arm Length (Inches)	ARMS P S3"X 5.7 U	ARMS P S4"X 7.7 U	ARMS P S5"X 10 U	ARMS P S6"X 12.5 U
18"	T0060299	T0060303	T0061549	T0060307
20"	T0057485	T0057494	T0061550	T0057503
24"	T0057486	T0057495	T0061551	T0057504
30"	T0057487	T0057496	T0061552	T0057505
36"	T0057488	T0057497	T0061553	T0057506
40"	T0057489	T0057498	T0061554	T0057507
42"	T0060300	T0060304	T0061555	T0060308
48"	T0057490	T0057499	T0061556	T0057508
54"	T0060301	T0060305	T0061557	T0060309
56"	T0057491	T0057500	T0061558	T0057509
60"	T0060302	T0060306	T0061559	T0060310
64"	T0057492	T0057501	T0061560	T0057510
100"	T0057493	T0057502	T0061561	T0057511

Arm Accessories

Pipe Stop Assembly (STOP MOBILE U)

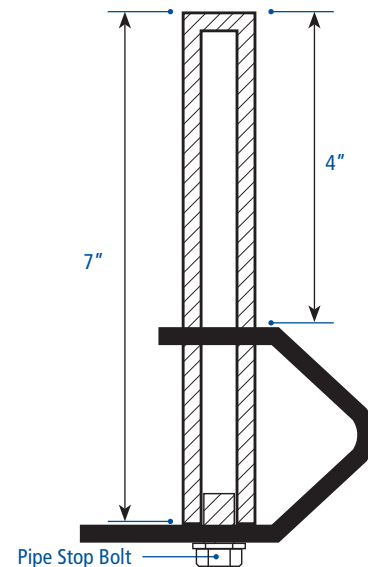
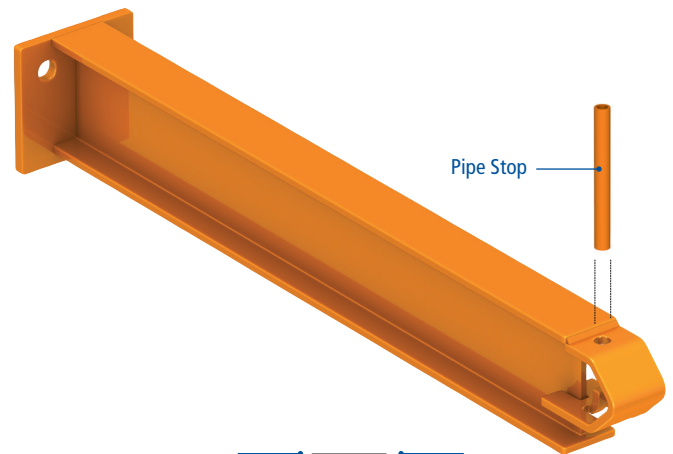
(T0057319)

Metallic cylinder with a diameter of 7/8" that is used at the end of bases and arms.

This piece can be installed as needed, you must keep in mind that once it has been installed the surface area of support for the arm is reduced.

Moreover a bolt BOLTW3/8X 1" D933 G5 B TE1A (T0029082) should be added.

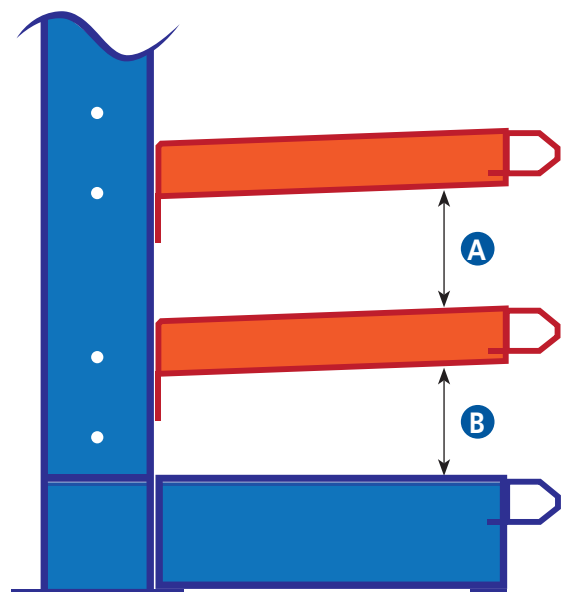
- Length = 7"
- Available in a standard orange finish



Arm Spacing Distances

MINIMUM DISTANCE BETWEEN ARMS		
A	Arm Model	Minimum Distance
	S3"X 5.7	2"
	S4"X 7.7	3"
	S6"X 12.5	3"

MINIMUM DISTANCE BETWEEN FIRST ARM AND BASE				
B	Arm Model	Base W8"X...	Base W10"X19	Base W10"X19
	S3"X 5.7	2-7/8"	---	---
	S4"X 7.7	4-7/8"	3-3/4"	---
	S6"X 12.5	5-7/8"	2-3/4"	3-3/4"



Horizontal Bracing

Struts are attached to the inside of the columns of the Cantilever Bay, in order to avoid the bulging and swaying of the columns. They connect columns together along the length of the system for rigidity purposes. This connection provides a solid, stable structure (the horizontal braces should be placed in all the bays of the same size).

Horizontal Bracing is formed by the following components:

CROSS BRAC. C-U425

Each brace is formed by 2 profiles C-U425, the length of which is determined by the distance between the columns and are made with two holes, one in each end.

The Bracing Union Angle U06 (T0057318) is attached using 2 Bolts W5/16x1 3/16" D933 G5 B T .2A (T0032929)

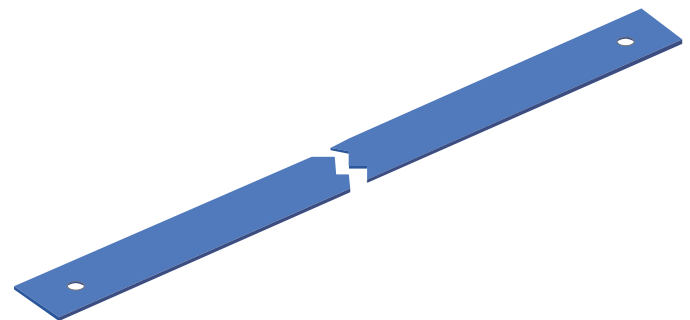
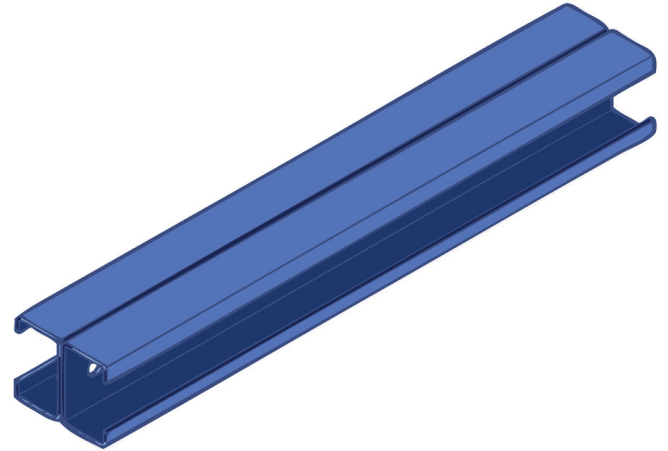
- Available in a standard blue finish

HANDRAIL C. BRAC. U-XBRACING

Flat bar of 1 9/16" wide and 1/8" thick (10 gauge steel) with 1 hole in each end, for installation. They are fabricated in various lengths to cover different lengths modules, and height between load levels.

They are attached to the Bracing Union Angle U06 (T0057318) using 2 Bolts W1/2x1 3/16" D933 G5 B T .2A (T0032936)

- Available in a standard blue finish

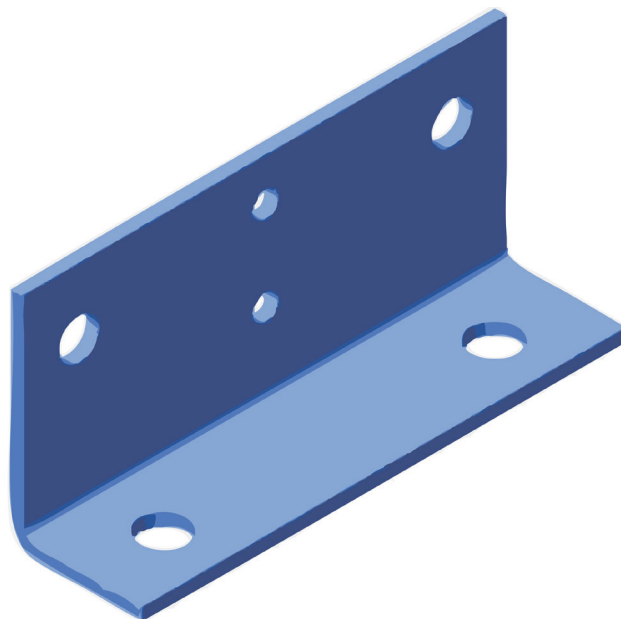


ARMS UNION CROSS BRACED U06 (T0057318)

Pieces in the form of "L" of 2 7/8" x 1 3/4" x gauge 8. Fixed to the web of the column using 2 BOLTW1/2X1 5/8" D933 G5 B T.2A (T0058504).

On the wider wing, C-425 cross-bracing is fixed horizontally using 2 BOLTW5/16X1 3/16" D933 G5 B T.2A (T0032929), whereas, diagonal (handrails cross-bracing) get fixed in drill holes of the ends using one BOLTW1/2X1 3/16" D933 G5 B T.2A (T0032936).

- Available in a standard blue finish



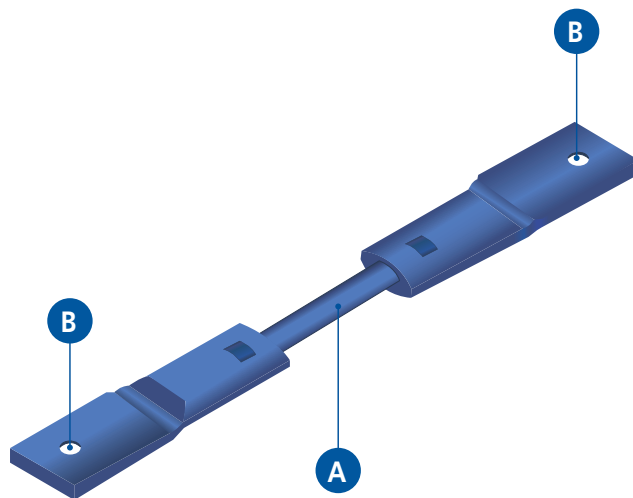
TENSIONERS C. BRACING CV (T0044092)

To obtain the perfect fit of the Diagonal Rails we use Tensioners C. Bracing CV, due to its threaded rod (A) we can adjust 2 3/8". Has two holes (B) to unite diagonal rail to Bracing Union Angle.

To adjust the length of the tensor, it needs a fixed key of 10.

Attach Diagonal Rail with 2 Bolts:
W1/2X1 3/16" D933 G5 B T.2A (T0032936)

- Available in a standard blue finish



**Horizontal Bracing Set H. CTV Horizontal INI. U
8'/12'X24" (ST.C.BR.CTVPHORINI.U...)**

(INI) Indicates bracing set for starter bay
(AD) indicates bracing set for add-on bays

Column heights:

8'/12' valid for heights of columns of 8'; 10' and 12'
14'/18' valid for heights of columns of 14'; 15'; 16'
17' and 18'.

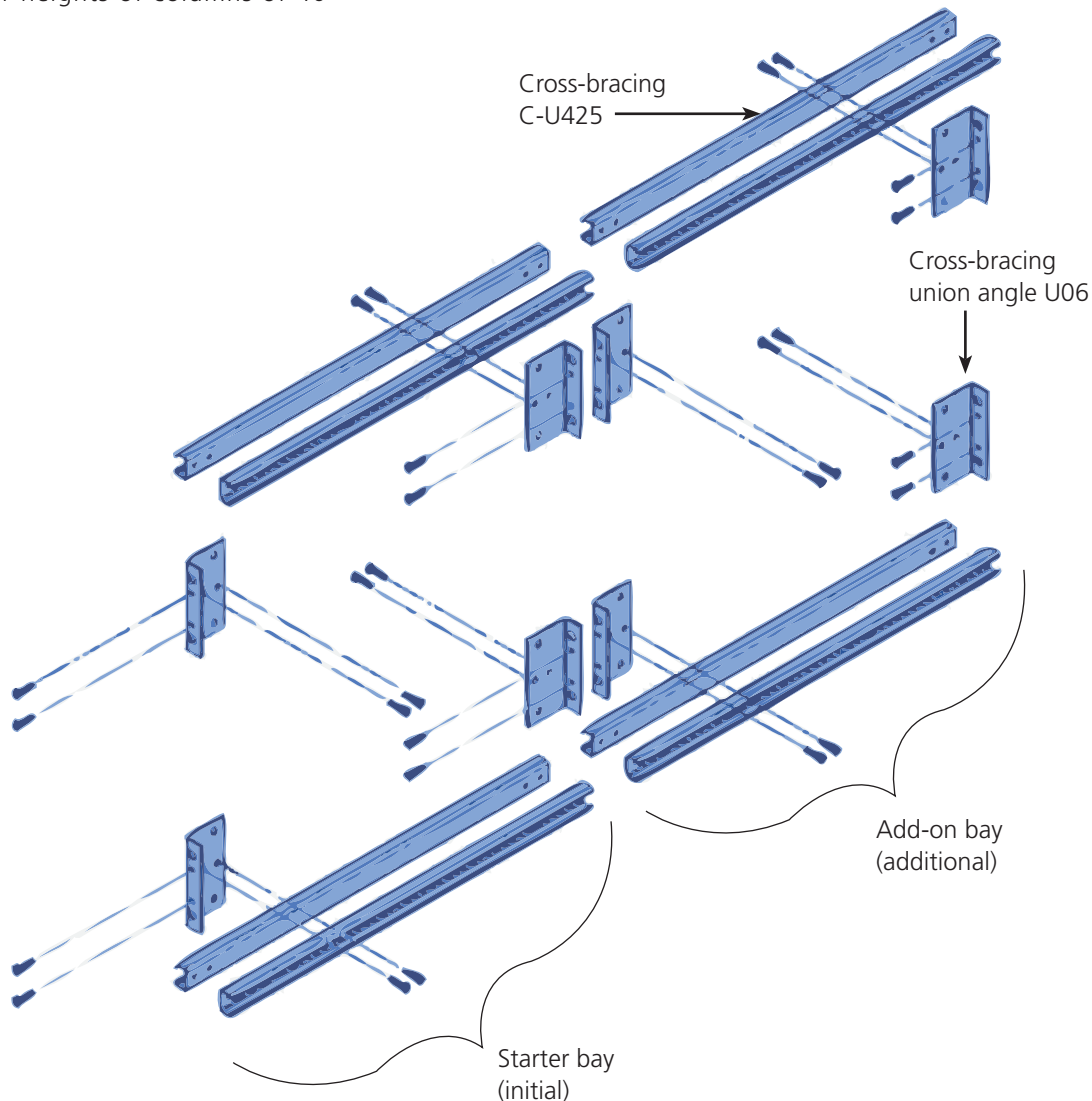
20'; 24': valid for heights of columns of 20' and 24'.
30'; 36': valid for heights of columns of 30' and 36'
40' valid for heights of columns of 40'

24" Indicates the distance between columns.

The following standard dimensions have been introduced:

24"; 36"; 48"; 60"; 72"; 84" and 96"

The quantity and length of pieces depend on the column's height and the distance between columns (center to center).



Cross-Brace Set H. CTV Vertical U 40'X 96"
(ST.C.BRACING CTV P VERT.U...)

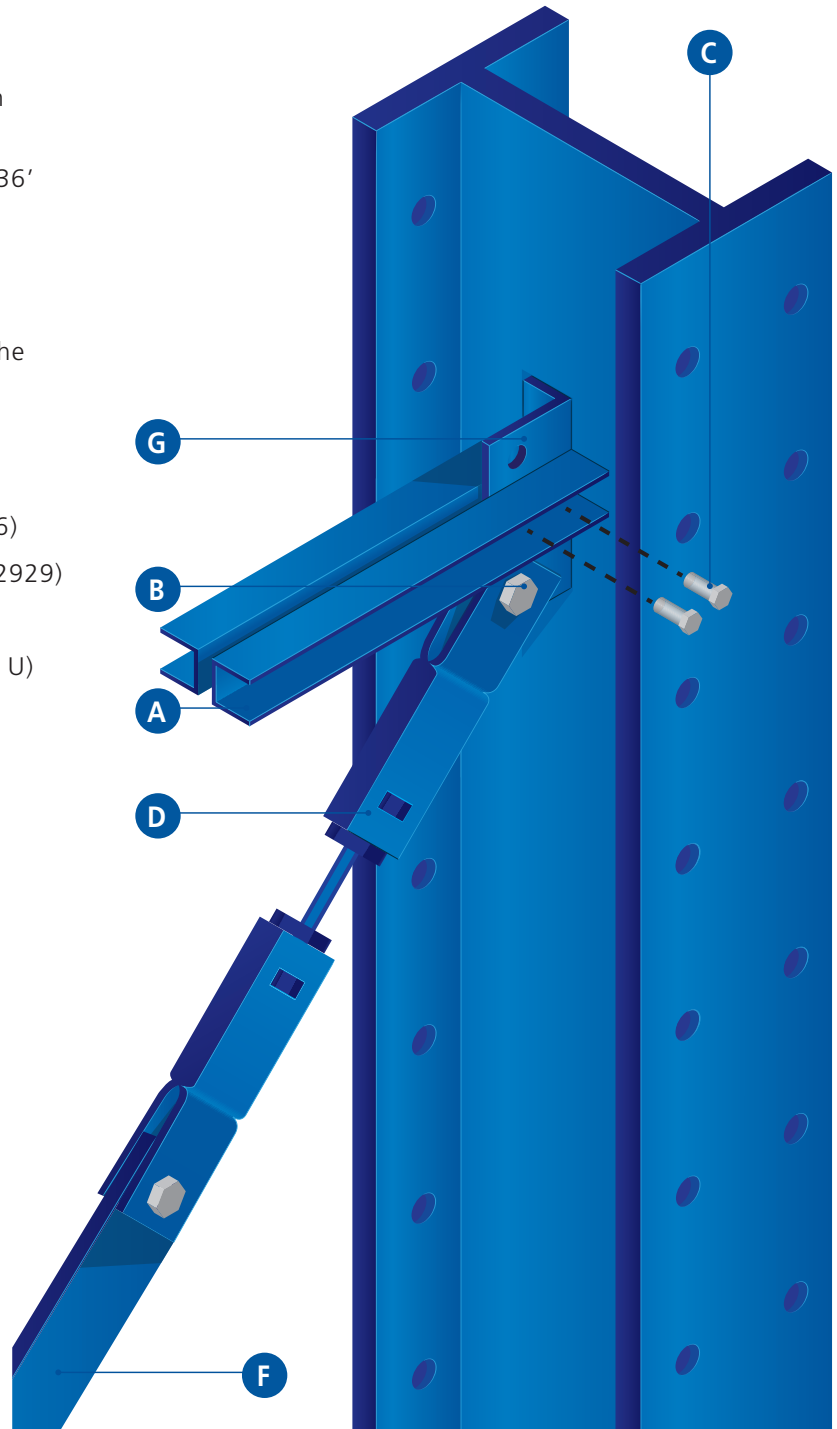
The following column standard heights have been introduced:

8'; 10'; 12'; 14'; 15'; 16'; 17'; 18'; 20'; 24'; 30'; 36' and 40'

The following standard dimensions have been introduced:

24"; 36"; 48"; 60"; 72"; 84" and 96" Indicates the distance between columns.

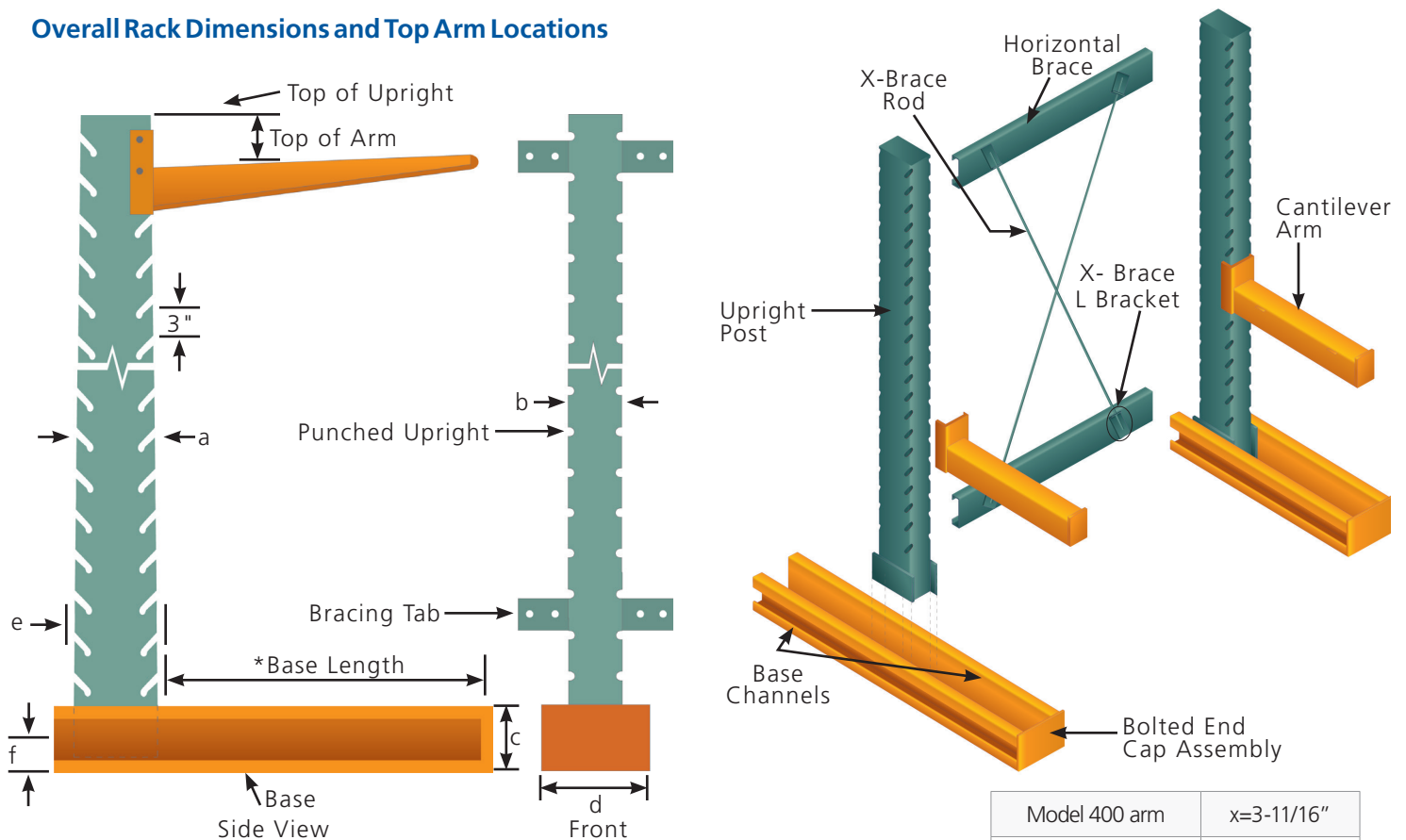
- A. Cross-Bracing C-U425 U
- B. Bolt W1/2x1 3/16" D933 G5 BT2A (E T0032936)
- C. Bolts W5/16X1 3/16" D933 G5 B T.2A (E T0032929)
- D. Cross-Bracing Tensioner CV (E 044092)
- F. Cross-Bracing Diagonal (Cross-Bracing Handrail U)
- G. Union Bracing Angle U06 (T0057318)



Roll Formed Cantilever Description & Sizes

The Interlake Mecalux roll formed cantilever rack system is a safe and versatile storage system for warehousing, distribution, manufacturing and retail environments. It is the ideal solution for long, bulky and difficult to store items such as carpet rolls, furniture, tubing, conduit, piping and other like items. Core components include uprights that are mounted to base channels and braced securely together. Cantilevered arms are connected to the uprights at the desired heights to support products and loads. There are no aisle uprights to limit the use of horizontal space. A wide range of load capacities for both standard and seismic applications are available, along with many accessories to create a fully customized, safe and effective storage system.

Overall Rack Dimensions and Top Arm Locations



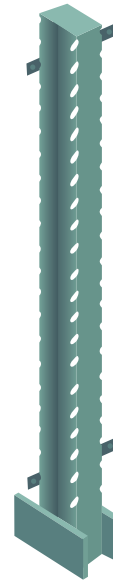
Upright Model

	940	941	942	943	944	945
a	5-1/8"	8"	10"	13-1/8"	15-1/8"	15-1/8"
b	4"	4"	4"	4"	4"	4"
c	5"	8"	9"	11"	13"	13"
d	8-3/8"	8-3/8"	9-3/8"	10-3/8"	11-5/8"	11-5/8"
e	2-11/16"	2-11/16"	2-11/16"	2-11/16"	2-11/16"	2-11/16"
f	1-3/8"	1-1/2"	1-1/2"	2"	2"	2"

Model 400 arm	x=3-11/16"
Model 401 arm	x=4-15/16"
Model 402 arm	x=4-15/16"
Model 403 arm	x=4-15/16"
Model 404 arm	x=6-11/16"
Model 415 arm	x=4-15/16"
Model 416 arm	x=4-15/16"
Model 417 arm	x=4-15/16"
Model 418 arm	x=6-11/16"
*Base Length = Arm Length	

Roll Formed Column

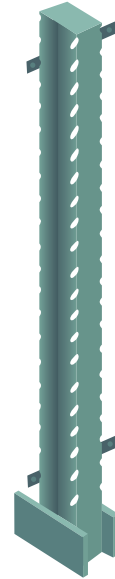
- **Positions 7-9** of the 18 digit cantilever upright catalog number indicate actual upright height in three inch increments.
- Ships with: bolts and nuts, see chart on page 25.
- Product code positions 10, 11 and 13 through 18 are zeros.
- Color: Vista Green



Height	Interlake	Item	Model	Style	Height	Color	Weight (lbs.)
	1	2	3-5	6	7-11	12	
72"	I	C	940	E	07200	G	70
84"	I	C	940	E	08400	G	80
96"	I	C	940	E	09600	G	90
108"	I	C	940	E	10800	G	102
120"	I	C	940	E	12000	G	112
132"	I	C	940	E	13200	G	123
144"	I	C	940	E	14400	G	133
156"	I	C	940	E	15600	G	145
168"	I	C	940	E	16800	G	155
180"	I	C	940	E	18000	G	165
192"	I	C	940	E	19200	G	177
204"	I	C	940	E	20400	G	187
216"	I	C	940	E	21600	G	198
228"	I	C	940	E	22800	G	208
240"	I	C	940	E	24000	G	220

Roll Formed Column

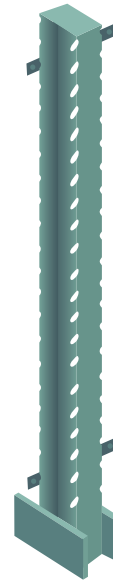
- **Positions 7-9** of the 18 digit cantilever upright catalog number indicate actual upright height in three inch increments.
- Ships with: bolts and nuts, see chart on page 25.
- Product code positions 10, 11 and 13 through 18 are zeros.
- Color: Vista Green



Height	Interlake	Item	Model	Style	Height	Color	Weight (lbs.)
	1	2	3-5	6	7-11	12	
72"	I	C	941	E	07200	G	106
84"	I	C	941	E	08400	G	121
96"	I	C	941	E	09600	G	137
108"	I	C	941	E	10800	G	154
120"	I	C	941	E	12000	G	169
132"	I	C	941	E	13200	G	184
144"	I	C	941	E	14400	G	200
156"	I	C	941	E	15600	G	216
168"	I	C	941	E	16800	G	232
180"	I	C	941	E	18000	G	247
192"	I	C	941	E	19200	G	264
204"	I	C	941	E	20400	G	279
216"	I	C	941	E	21600	G	294
228"	I	C	941	E	22800	G	310
240"	I	C	941	E	24000	G	327
252"	I	C	941	E	25200	G	342
264"	I	C	941	E	26400	G	357
276"	I	C	941	E	27600	G	374
288"	I	C	941	E	28800	G	389

Roll Formed Column

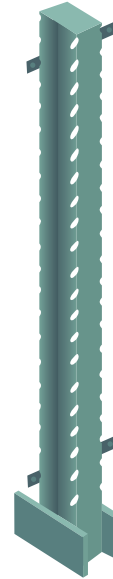
- **Positions 7-9** of the 18 digit cantilever upright catalog number indicate actual upright height in three inch increments.
- Ships with: bolts and nuts, see chart on page 25.
- Product code positions 10, 11 and 13 through 18 are zeros.
- Color: Vista Green



Height	Interlake	Item	Model	Style	Height	Color	Weight (lbs.)
	1	2	3-5	6	7-11	12	
120"	I	C	942	E	12000	G	196
132"	I	C	942	E	13200	G	214
144"	I	C	942	E	14400	G	232
156"	I	C	942	E	15600	G	251
168"	I	C	942	E	16800	G	269
180"	I	C	942	E	18000	G	287
192"	I	C	942	E	19200	G	306
204"	I	C	942	E	20400	G	323
216"	I	C	942	E	21600	G	341
228"	I	C	942	E	22800	G	359
240"	I	C	942	E	24000	G	378
252"	I	C	942	E	25200	G	396
264"	I	C	942	E	26400	G	414
276"	I	C	942	E	27600	G	433
288"	I	C	942	E	28800	G	450
300"	I	C	942	E	30000	G	468
312"	I	C	942	E	31200	G	486
324"	I	C	942	E	32400	G	505
336"	I	C	942	E	33600	G	523

Roll Formed Column

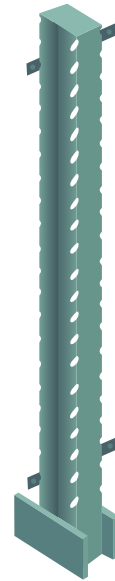
- **Positions 7-9** of the 18 digit cantilever upright catalog number indicate actual upright height in three inch increments.
- Ships with: bolts and nuts, see chart on page 25.
- Product code positions 10, 11 and 13 through 18 are zeros.
- Color: Vista Green



Height	Interlake	Item	Model	Style	Height	Color	Weight (lbs.)
	1	2	3-5	6	7-11	12	
120"	I	C	943	E	12000	G	283
132"	I	C	943	E	13200	G	309
144"	I	C	943	E	14400	G	334
156"	I	C	943	E	15600	G	361
168"	I	C	943	E	16800	G	387
180"	I	C	943	E	18000	G	413
192"	I	C	943	E	19200	G	440
204"	I	C	943	E	20400	G	466
216"	I	C	943	E	21600	G	491
228"	I	C	943	E	22800	G	517
240"	I	C	943	E	24000	G	544
252"	I	C	943	E	25200	G	570
264"	I	C	943	E	26400	G	595
276"	I	C	943	E	27600	G	622
288"	I	C	943	E	28800	G	648
300"	I	C	943	E	30000	G	674
312"	I	C	943	E	31200	G	699
324"	I	C	943	E	32400	G	726
336"	I	C	943	E	33600	G	752

Roll Formed Column

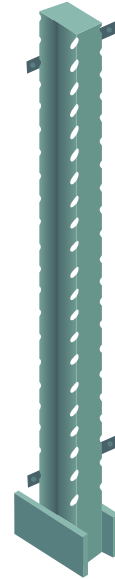
- **Positions 7-9** of the 18 digit cantilever upright catalog number indicate actual upright height in three inch increments.
- Ships with: bolts and nuts, see chart on page 25.
- Product code positions 10, 11 and 13 through 18 are zeros.
- Color: Vista Green



Height	Interlake	Item	Model	Style	Height	Color	Weight (lbs.)
	1	2	3-5	6	7-11	12	
120"	I	C	944	E	12000	G	314
132"	I	C	944	E	13200	G	342
144"	I	C	944	E	14400	G	371
156"	I	C	944	E	15600	G	400
168"	I	C	944	E	16800	G	428
180"	I	C	944	E	18000	G	456
192"	I	C	944	E	19200	G	486
204"	I	C	944	E	20400	G	514
216"	I	C	944	E	21600	G	558
228"	I	C	944	E	22800	G	570
240"	I	C	944	E	24000	G	599
252"	I	C	944	E	25200	G	627
264"	I	C	944	E	26400	G	655
276"	I	C	944	E	27600	G	685
288"	I	C	944	E	28800	G	713
300"	I	C	944	E	30000	G	741
312"	I	C	944	E	31200	G	769
324"	I	C	944	E	32400	G	798
336"	I	C	944	E	33600	G	827

Roll Formed Column

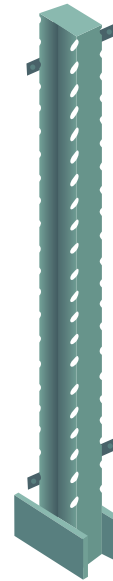
- **Positions 7-9** of the 18 digit cantilever upright catalog number indicate actual upright height in three inch increments.
- Ships with: bolts and nuts, see chart on page 25.
- Product code positions 10, 11 and 13 through 18 are zeros.
- Color: Vista Green



Height	Interlake	Item	Model	Style	Height	Color	Weight (lbs.)
	1	2	3-5	6	7-11	12	
120"	I	C	945	E	12000	G	358
132"	I	C	945	E	13200	G	390
144"	I	C	945	E	14400	G	422
156"	I	C	945	E	15600	G	456
168"	I	C	945	E	16800	G	489
180"	I	C	945	E	18000	G	521
192"	I	C	945	E	19200	G	550
204"	I	C	945	E	20400	G	578
216"	I	C	945	E	21600	G	607
228"	I	C	945	E	22800	G	635
240"	I	C	945	E	24000	G	664
252"	I	C	945	E	25200	G	692
264"	I	C	945	E	26400	G	720
276"	I	C	945	E	27600	G	750
288"	I	C	945	E	28800	G	778
300"	I	C	945	E	30000	G	806
312"	I	C	945	E	31200	G	834
324"	I	C	945	E	32400	G	863
336"	I	C	945	E	33600	G	891

Roll Formed Column

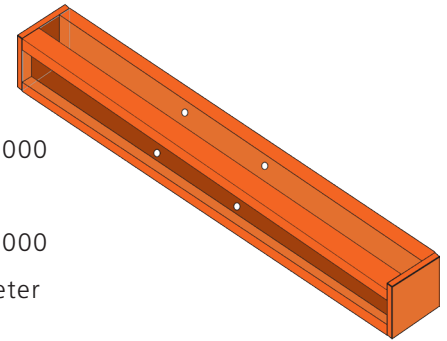
- **Positions 7-9** of the 18 digit cantilever upright catalog number indicate actual upright height in three inch increments.
- Ships with: bolts and nuts, see chart on page 25.
- Product code positions 10, 11 and 13 through 18 are zeros.
- Color: Vista Green



Bolts and Nuts Included with Uprights

Upright Model	Bolt/Nut Quantity	Bolt Size/Catalog Number	Nut Size/Catalog Number
940	8	1/2" - 13 X 1", IHABH10136DP000000	1/2" - 13, IHABH10149DP000000
941	12	1/2" - 13 X 1", IHABH10136DP000000	1/2" - 13, IHABH10149DP000000
942	12	1/2" - 13 X 1", IHABH10136DP000000	1/2" - 13, IHABH10149DP000000
943	12	5/8" - 11 X 1", IHABJ10191DP000000	5/8" - 11, IHABH10193DP000000
944	16	5/8" - 11 X 1", IHABJ10191DP000000	5/8" - 11, IHABH10193DP000000
945	16	5/8" - 11 X 1", IHABJ10191DP000000	5/8" - 11, IHABH10193DP000000

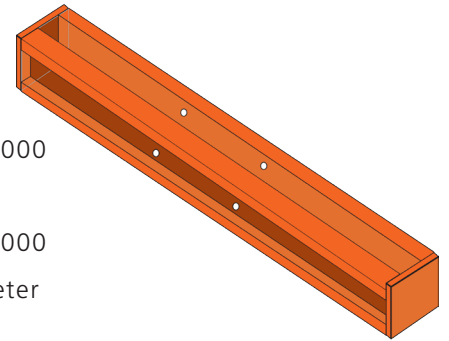
Roll Formed Base



- Single Bases Ship With: (4) 1/2" - 13 x 1" bolts, IHABH10136DP000000
(4) 1/2" - 13 flanged locknuts, IHANH10149DP000000
- Double Bases Ship With: (8) 1/2" - 13 x 1" bolts, IHABH10136DP000000
(8) 1/2" - 13 flanged locknuts, IHANH10149DP000000
- Use 5/8" diameter anchors, except 712, 713, 722 and 723 bases use 1/2" diameter anchors.
- Anchors are **not** included. See Hardware section to order.
- Lengths represent arm length.
- Product code positions 13 through 18 are zeros.
- Color: Interlake Orange

	Length	Interlake	Item	Model	Style	Length (In.)	Color	Weight Each (lbs.)
		1	2	3-5	6	7-11	12	
For 940 Double Entry	12	T	C	722	F	01200	R	27
	18	T	C	722	F	01800	R	35
	24	T	C	722	F	02400	R	44
	30	T	C	722	F	03000	R	53
	36	T	C	722	F	03600	R	62
	42	T	C	722	F	04200	R	71
	48	T	C	722	F	04800	R	80
	54	T	C	722	F	05400	R	89
	60	T	C	722	F	06000	R	98
For 940 Single Entry	12	T	C	712	F	01200	R	17
	18	T	C	712	F	01800	R	22
	24	T	C	712	F	02400	R	26
	30	T	C	712	F	03000	R	31
	36	T	C	712	F	03600	R	35
	42	T	C	712	F	04200	R	39
	48	T	C	712	F	04800	R	44
	54	T	C	712	F	05400	R	48
	60	T	C	712	F	06000	R	53

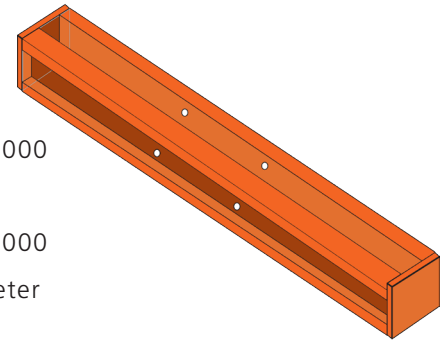
Roll Formed Base



- Single Bases Ship With: (4) 1/2" - 13 x 1" bolts, IHABH10136DP000000
(4) 1/2" - 13 flanged locknuts, IHANH10149DP000000
- Double Bases Ship With: (8) 1/2" - 13 x 1" bolts, IHABH10136DP000000
(8) 1/2" - 13 flanged locknuts, IHANH10149DP000000
- Use 5/8" diameter anchors, except 712, 713, 722 and 723 bases use 1/2" diameter anchors.
- Anchors are **not** included. See Hardware section to order.
- Lengths represent arm length.
- Product code positions 13 through 18 are zeros.
- Color: Interlake Orange

	Length	Interlake	Item	Model	Style	Length (In.)	Color	Weight Each (lbs.)
		1	2	3-5	6	7-11	12	
For 941 Double Entry	12	T	C	723	F	01200	R	40
	18	T	C	723	F	01800	R	51
	24	T	C	723	F	02400	R	63
	30	T	C	723	F	03000	R	75
	36	T	C	723	F	03600	R	87
	42	T	C	723	F	04200	R	98
	48	T	C	723	F	04800	R	110
	54	T	C	723	F	05400	R	122
	60	T	C	723	F	06000	R	134
For 941 Single Entry	12	T	C	713	F	01200	R	26
	18	T	C	713	F	01800	R	32
	24	T	C	713	F	02400	R	38
	30	T	C	713	F	03000	R	44
	36	T	C	713	F	03600	R	50
	42	T	C	713	F	04200	R	56
	48	T	C	713	F	04800	R	62
	54	T	C	713	F	05400	R	68
	60	T	C	713	F	06000	R	73

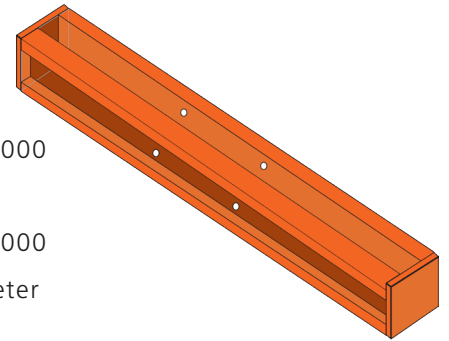
Roll Formed Base



- Single Bases Ship With: (4) 1/2" - 13 x 1" bolts, IHABH10136DP000000
(4) 1/2" - 13 flanged locknuts, IHANH10149DP000000
- Double Bases Ship With: (8) 1/2" - 13 x 1" bolts, IHABH10136DP000000
(8) 1/2" - 13 flanged locknuts, IHANH10149DP000000
- Use 5/8" diameter anchors, except 712, 713, 722 and 723 bases use 1/2" diameter anchors.
- Anchors are **not** included. See Hardware section to order.
- Lengths represent arm length.
- Product code positions 13 through 18 are zeros.
- Color: Interlake Orange

	Length	Interlake	Item	Model	Style	Length (In.)	Color	Weight Each (lbs.)
		1	2	3-5	6	7-11	12	
For 942 Double Entry	24	T	C	724	F	02400	R	78
	30	T	C	724	F	03000	R	92
	36	T	C	724	F	03600	R	106
	42	T	C	724	F	04200	R	120
	48	T	C	724	F	04800	R	134
	54	T	C	724	F	05400	R	147
	60	T	C	724	F	06000	R	161
	66	T	C	724	F	06600	R	175
	72	T	C	724	F	07200	R	189
For 942 Single Entry	24	T	C	714	F	02400	R	48
	30	T	C	714	F	03000	R	55
	36	T	C	714	F	03600	R	62
	42	T	C	714	F	04200	R	69
	48	T	C	714	F	04800	R	76
	54	T	C	714	F	05400	R	83
	60	T	C	714	F	06000	R	90
	66	T	C	714	F	06600	R	97
	72	T	C	714	F	07200	R	104

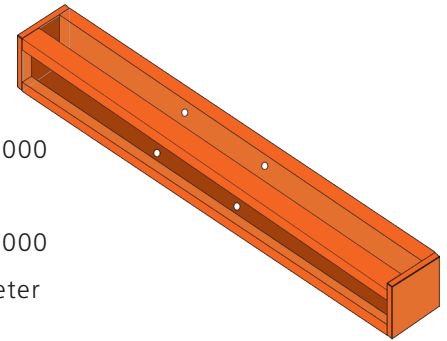
Roll Formed Base



- Single Bases Ship With: (4) 1/2" - 13 x 1" bolts, IHABH10136DP000000
(4) 1/2" - 13 flanged locknuts, IHANH10149DP000000
- Double Bases Ship With: (8) 1/2" - 13 x 1" bolts, IHABH10136DP000000
(8) 1/2" - 13 flanged locknuts, IHANH10149DP000000
- Use 5/8" diameter anchors, except 712, 713, 722 and 723 bases use 1/2" diameter anchors.
- Anchors are **not** included. See Hardware section to order.
- Lengths represent arm length.
- Product code positions 13 through 18 are zeros.
- Color: Interlake Orange

	Length	Interlake	Item	Model	Style	Length (In.)	Color	Weight Each (lbs.)
		1	2	3-5	6	7-11	12	
For 943 Double Entry	24	T	C	726	F	02400	R	105
	30	T	C	726	F	03000	R	122
	36	T	C	726	F	03600	R	140
	42	T	C	726	F	04200	R	157
	48	T	C	726	F	04800	R	175
	54	T	C	726	F	05400	R	192
	60	T	C	726	F	06000	R	210
	66	T	C	726	F	06600	R	228
	72	T	C	726	F	07200	R	245
	84	T	C	726	F	08400	R	280
For 943 Single Entry	24	T	C	716	F	02400	R	66
	30	T	C	716	F	03000	R	75
	36	T	C	716	F	03600	R	84
	42	T	C	716	F	04200	R	92
	48	T	C	716	F	04800	R	101
	54	T	C	716	F	05400	R	110
	60	T	C	716	F	06000	R	119
	66	T	C	716	F	06600	R	127
	72	T	C	716	F	07200	R	136
	84	T	C	716	F	08400	R	154
	96	T	C	716	F	09600	R	171

Roll Formed Base



- Single Bases Ship With: (4) 1/2" - 13 x 1" bolts, IHABH10136DP000000
(4) 1/2" - 13 flanged locknuts, IHANH10149DP000000
- Double Bases Ship With: (8) 1/2" - 13 x 1" bolts, IHABH10136DP000000
(8) 1/2" - 13 flanged locknuts, IHANH10149DP000000
- Use 5/8" diameter anchors, except 712, 713, 722 and 723 bases use 1/2" diameter anchors.
- Anchors are **not** included. See Hardware section to order.
- Lengths represent arm length.
- Product code positions 13 through 18 are zeros.
- Color: Interlake Orange

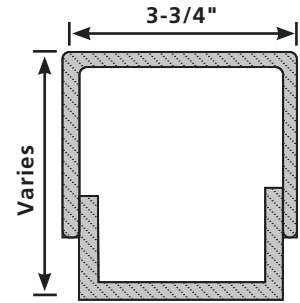
	Length	Interlake	Item	Model	Style	Length (In.)	Color	Weight Each (lbs.)
		1	2	3-5	6	7-11	12	
For 944 & 945 Double Entry	24	T	C	727	F	02400	R	131
	30	T	C	727	F	03000	R	152
	36	T	C	727	F	03600	R	173
	42	T	C	727	F	04200	R	194
	48	T	C	727	F	04800	R	215
	54	T	C	727	F	05400	R	237
	60	T	C	727	F	06000	R	258
	66	T	C	727	F	06600	R	279
	72	T	C	727	F	07200	R	300
	84	T	C	727	F	08400	R	343
For 944 & 945 Single Entry	24	T	C	717	F	02400	R	84
	30	T	C	717	F	03000	R	94
	36	T	C	717	F	03600	R	105
	42	T	C	717	F	04200	R	115
	48	T	C	717	F	04800	R	126
	54	T	C	717	F	05400	R	137
	60	T	C	717	F	06000	R	147
	66	T	C	717	F	06600	R	158
	72	T	C	717	F	07200	R	168
	84	T	C	717	F	08400	R	190
	96	T	C	717	F	09600	R	211

***Note:** 96 double entry is not available.

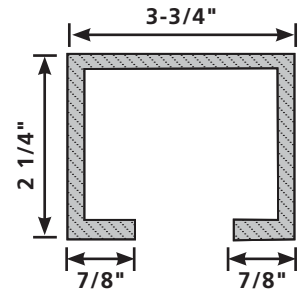
Standard Arms

- Each cantilever arm ships with:
(1) U-Lock pin, IHALN10185CP000000
- See page 40 for add-on for welded End-of-Arm Cap.
- Product code positions 13 through 18 are zeros.
- Color: Interlake Orange

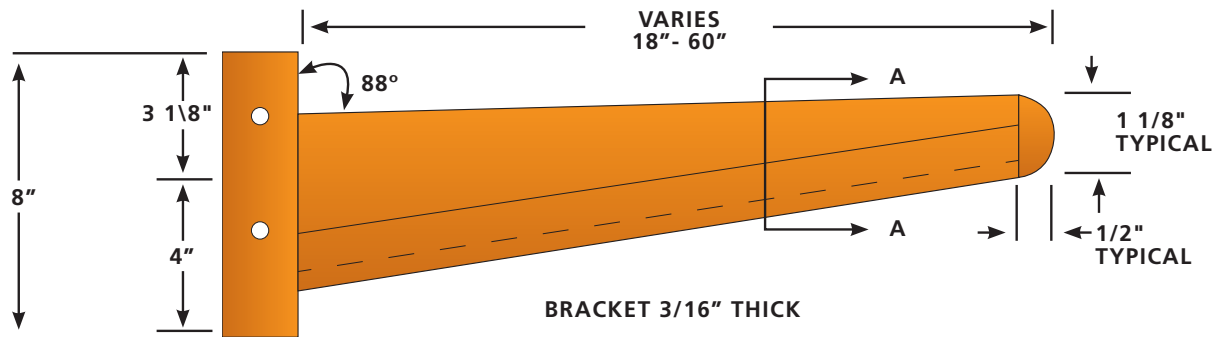
Section A-A



Section B-B



Model 401 Arm

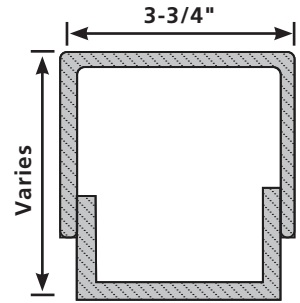


Arm Length	Interlake	Item	Model	Style	Length (In.)	Color	Weight Each (lbs.)
	1	2	3-5	6	7-11	12	
18"	I	C	401	A	01800	R	14
24"	I	C	401	A	02400	R	18
30"	I	C	401	A	03000	R	22
36"	I	C	401	A	03600	R	25
42"	I	C	401	A	04200	R	29
48"	I	C	401	A	04800	R	32
60"	I	C	401	A	06000	R	40

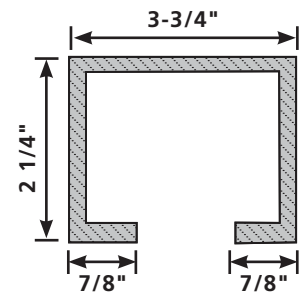
Standard Arms

- Each cantilever arm ships with:
(1) U-Lock pin, IHALN10185CP000000
- See page 40 for add-on for welded End-of-Arm Cap.
- Product code positions 13 through 18 are zeros.
- Color: Interlake Orange

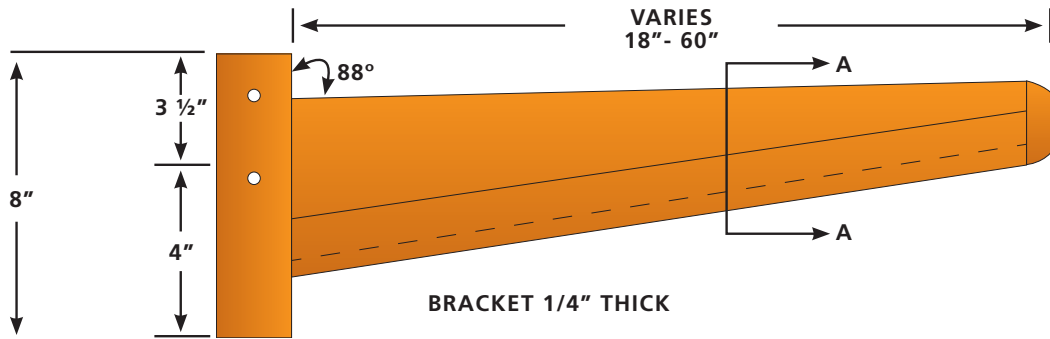
Section A-A



Section B-B



Model 402 Arm

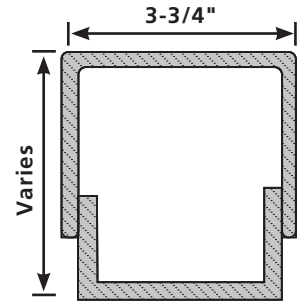


Arm Length	Interlake	Item	Model	Style	Length (in.)	Color	Weight Each (lbs.)
18"	I	C	402	A	01800	R	19
24"	I	C	402	A	02400	R	23
30"	I	C	402	A	03000	R	28
36"	I	C	402	A	03600	R	33
42"	I	C	402	A	04200	R	37
48"	I	C	402	A	04800	R	42
60"	I	C	402	A	06000	R	51

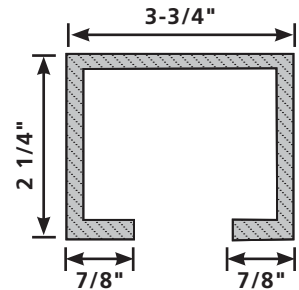
Standard Arms

- Each cantilever arm ships with:
(1) U-Lock pin, IHALN10185CP000000
- See page 40 for add-on for welded End-of-Arm Cap.
- Product code positions 13 through 18 are zeros.
- Color: Interlake Orange

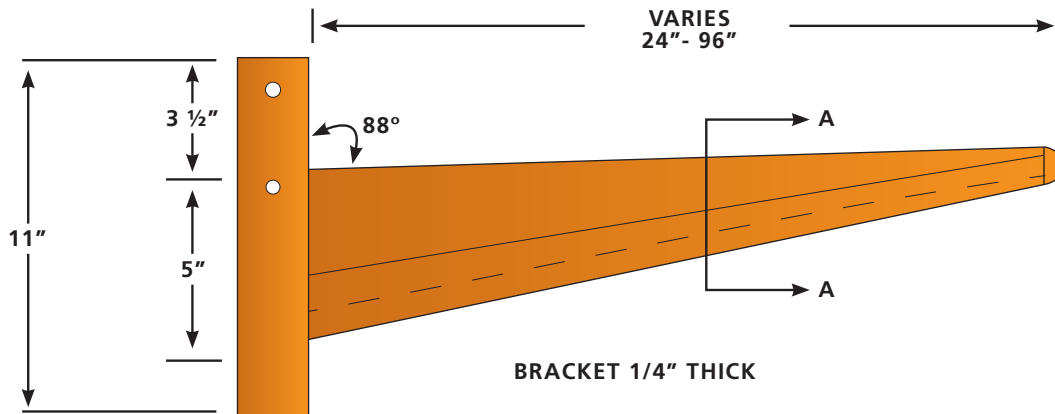
Section A-A



Section B-B



Model 403 Arm

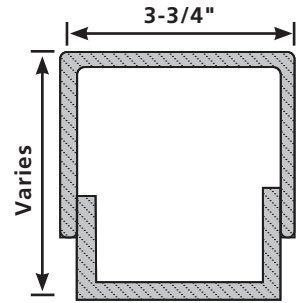


Arm Length	Interlake	Item	Model	Style	Length (In.)	Color	Weight Each (lbs.)
	1	2	3-5	6	7-11	12	
24"	I	C	403	A	02400	R	28
30"	I	C	403	A	03000	R	33
36"	I	C	403	A	03600	R	38
42"	I	C	403	A	04200	R	43
48"	I	C	403	A	04800	R	48
60"	I	C	403	A	06000	R	59
72"	I	C	403	A	07200	R	69
84"	I	C	403	A	08400	R	80
96"	I	C	403	A	09600	R	90

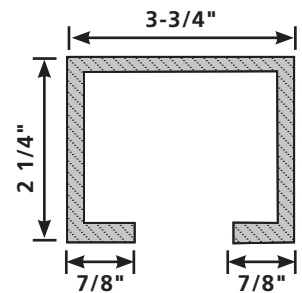
Standard Arms

- Each cantilever arm ships with:
(1) U-Lock pin, IHALN10185CP000000
- See page 40 for add-on for welded End-of-Arm Cap.
- Product code positions 13 through 18 are zeros.
- Color: Interlake Orange

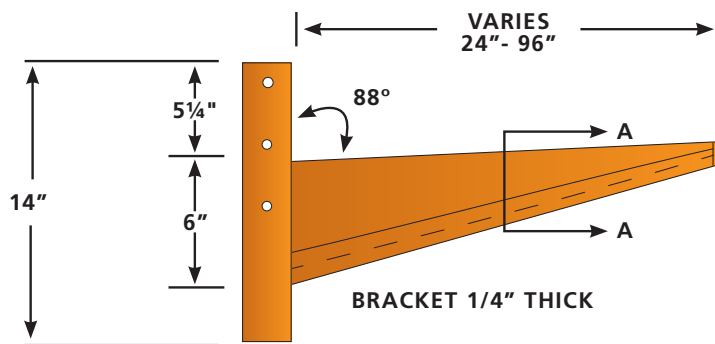
Section A-A



Section B-B



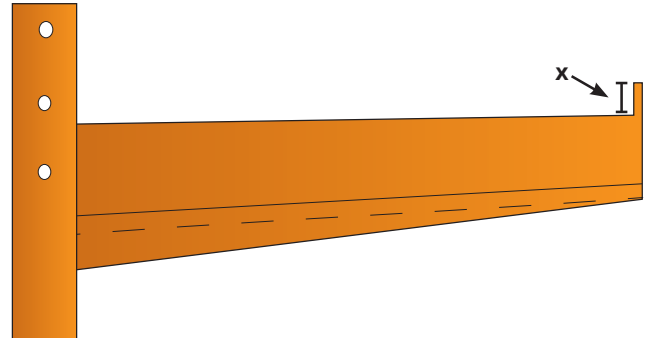
Model 404 Arm



Arm Length	Interlake	Item	Model	Style	Length (In.)	Color	Weight Each (lbs.)
	1	2	3-5	6	7-11	12	
24 "	I	C	404	A	02400	R	31
30 "	I	C	404	A	03000	R	37
36 "	I	C	404	A	03600	R	42
42 "	I	C	404	A	04200	R	48
48 "	I	C	404	A	04800	R	54
60 "	I	C	404	A	06000	R	65
72 "	I	C	404	A	07200	R	76
84 "	I	C	404	A	08400	R	87
96 "	I	C	404	A	09600	R	99

Arm Add-On Options: End-of-Arm Cap (Welded)

- Available on all arm models.
- Change position 6 of the 18 digit catalog number from "A" to "R", and add positions 13 - 18 to the arm catalog code using the numbers indicated below.
- Available in 1/2" increments from 1" to 4" ("X" Dimensions).
- Stop Plate available in other heights as a "special". Contact your Interlake Mecalux Engineering Support Team for more information.
- Color: Interlake Orange



"X" Dimension	Weight Add-On	Positions 13 thru 18*
2"	1.0	002000
4"	1.5	004000

* Example: 2-1/2" = 002500 in positions 13 - 18.

Example: IC401A04200R (Cantilever arm) adding End-of-Arm Cap option with a 4" X dimension. Changes to:

1	2	3	4	5	6	7	8	9	10	11	12	13	14	15	16	17	18
I	C	4	0	1	R	0	4	2	0	0	R	0	0	4	0	0	0

Pipe Stop Hole-in-Arm

- Available on arms 400, 401, 402, 403 and 404.
- Change position 6 of the product code from "A" to "P", and order Pipe Stop Assembly from below.

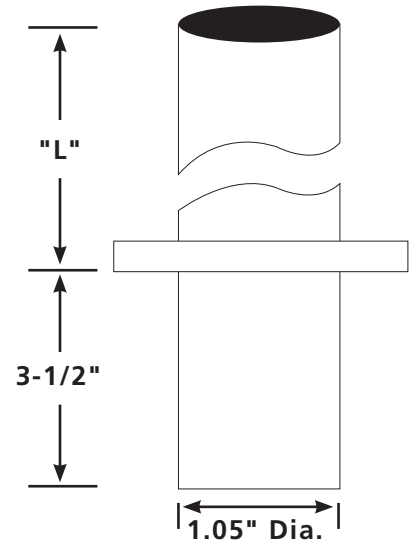
Example: IC401A04200R (Cantilever arm) adding Pipe Stop Hole-in-Arm option. Changes to:

1	2	3	4	5	6	7	8	9	10	11	12	13	14	15	16	17	18
I	C	4	0	1	P	0	4	2	0	0	R	0	0	0	0	0	0

Arm Pipe Stop Assembly

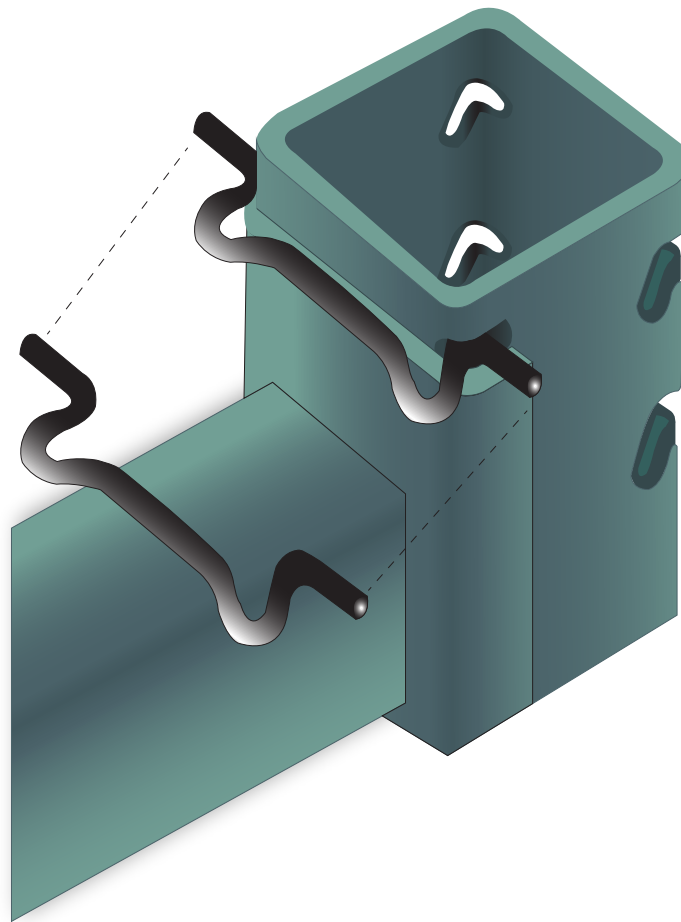
- Includes 3/4" pipe (1.05" o.d.) and welded 1" flat washer.
- For use when Pipe Stop Hole is added to arm. (See page 40.)
- Color: Interlake Orange

Length	Interlake	Item	Model	Style	"L" Length (In.)	Color	Weight Each (lbs.)
	1	2	3-5	6	7-11	12	
3"	I	A	996	X	00300	R	0.8
6"	I	A	996	X	00600	R	1.1
9"	I	A	996	X	00900	R	1.4
12"	I	A	996	X	01200	R	1.7
15"	I	A	996	X	01500	R	2.0
18"	I	A	996	X	01800	R	2.3



U-Lock Pin

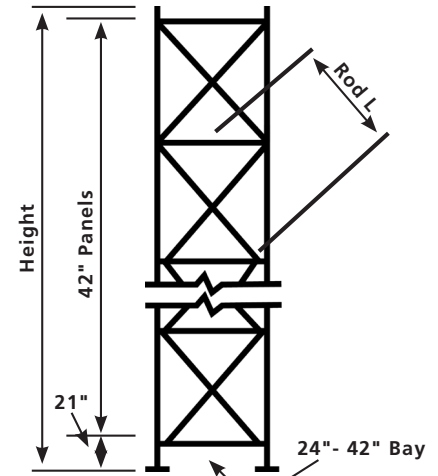
- Prevents cantilever arm from being dislodged upward.
- (1) U-Lock Pin ships with each arm ordered. For replacements or extras, order product code IHALN10185CP000000.
 - Weight per pin is 0.1 lb.



Diagonal Bracing Sets - Scheme 1

- Horizontal braces are not included. Order separately, see page 58.
- For quantity required and shipping bill of materials, see pages 50-51.
- Rods are 1/2" diameter.
- Diagonal brace sets are Interlake Orange.

Scheme #	Interlake	Item	Model	Code	Color	Width of Bay (In.)	Upright Ht. (In.) of Bay	Weight (lbs.)
	1	2	3-6	7-11	12	13-15	16-18	
1	T	C	600X	00000	R	024	096	8
1	T	C	600X	00000	R	030	096	10
1	T	C	600X	00000	R	036	096	10
1	T	C	600X	00000	R	042	096	10
1	T	C	600X	00000	R	024	144	18
1	T	C	600X	00000	R	030	144	19
1	T	C	600X	00000	R	036	144	20
1	T	C	600X	00000	R	042	144	20
1	T	C	600X	00000	R	024	180	28
1	T	C	600X	00000	R	030	180	29
1	T	C	600X	00000	R	036	180	30
1	T	C	600X	00000	R	042	180	31
1	T	C	600X	00000	R	024	228	37
1	T	C	600X	00000	R	030	228	38
1	T	C	600X	00000	R	036	228	40
1	T	C	600X	00000	R	042	228	41



Scheme 1

Diagonal Bracing Set Requirements

X Bracing Requirements	
Upright Model	Required Every
940	5 Bays
941	4 Bays
942	3 Bays
943	2 Bays
944	Bay
945	Bay

Example

10 Bay Row with 940 Upright X Bracing required with every 5th Bay



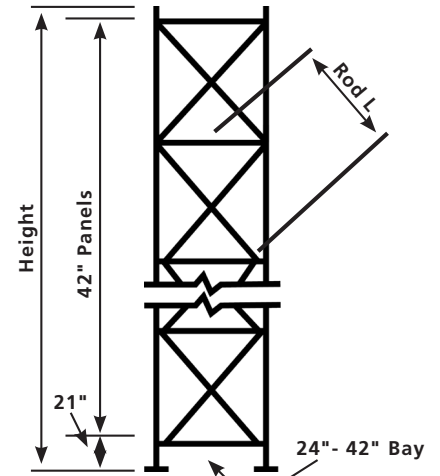
We recommend adding one extra X braced bay



Diagonal Bracing Sets - Scheme 1

- Horizontal braces are not included. Order separately, see page 58.
- For quantity required and shipping bill of materials, see pages 50-51.
- Rods are 1/2" diameter.
- Diagonal brace sets are Interlake Orange.

Scheme #	Interlake	Item	Model	Code	Color	Width of Bay (In.)	Upright Ht. (In.) of Bay	Weight (lbs.)
	1	2	3-6	7-11	12	13-15	16-18	
1	T	C	600X	00000	R	024	264	46
1	T	C	600X	00000	R	030	264	48
1	T	C	600X	00000	R	036	264	50
1	T	C	600X	00000	R	042	264	51
1	T	C	600X	00000	R	024	312	55
1	T	C	600X	00000	R	030	312	58
1	T	C	600X	00000	R	036	312	60
1	T	C	600X	00000	R	042	312	61
1	T	C	600X	00000	R	024	336	64
1	T	C	600X	00000	R	030	336	67
1	T	C	600X	00000	R	036	336	70
1	T	C	600X	00000	R	042	336	71



Scheme 1

Diagonal Bracing Set Requirements

X Bracing Requirements	
Upright Model	Required Every
940	5 Bays
941	4 Bays
942	3 Bays
943	2 Bays
944	Bay
945	Bay

Example

10 Bay Row with 940 Upright X Bracing required with every 5th Bay

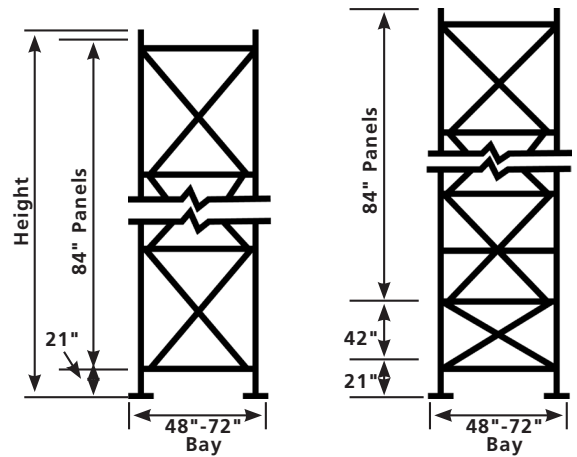


We recommend adding one extra X braced bay



Diagonal Bracing Sets - Scheme 2

- Horizontal braces are not included. Order separately, see page 58.
- For quantity required and shipping bill of materials, see pages 52-53.
- Rods are 1/2" diameter.
- Diagonal brace sets are Interlake Orange.



OR Scheme 2

Scheme #	Interlake	Item	Model	Code	Color	Width of Bay (In.)	Upright Ht. (In.) of Bay	Weight (lbs.)
	1	2	3-6	7-11	12	13-15	16-18	
2	T	C	600X	00000	R	048	096	11
2	T	C	600X	00000	R	054	096	11
2	T	C	600X	00000	R	060	096	12
2	T	C	600X	00000	R	066	096	12
2	T	C	600X	00000	R	072	096	13
2	T	C	600X	00000	R	048	144	15
2	T	C	600X	00000	R	054	144	15
2	T	C	600X	00000	R	060	144	16
2	T	C	600X	00000	R	066	144	16
2	T	C	600X	00000	R	072	144	17
2	T	C	600X	00000	R	048	180	26
2	T	C	600X	00000	R	054	180	27
2	T	C	600X	00000	R	060	180	27
2	T	C	600X	00000	R	066	180	28
2	T	C	600X	00000	R	072	180	30

Diagonal Bracing Set Requirements

X Bracing Requirements	
Upright Model	Required Every
940	5 Bays
941	4 Bays
942	3 Bays
943	2 Bays
944	Bay
945	Bay

Example

10 Bay Row with 940 Upright X Bracing required with every 5th Bay

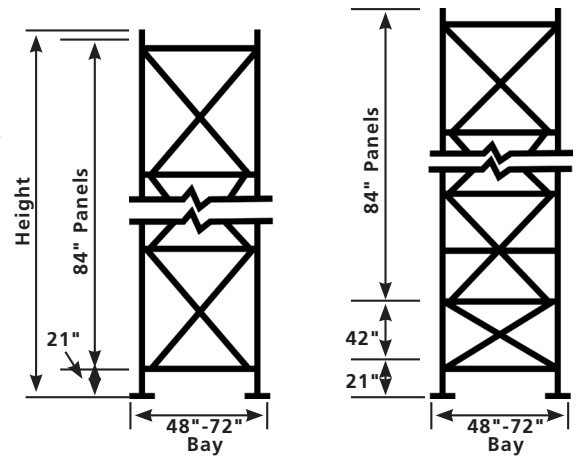


We recommend adding one extra X braced bay



Diagonal Bracing Sets - Scheme 2

- Horizontal braces are not included. Order separately, see page 58.
- For quantity required and shipping bill of materials, see pages 52-53.
- Rods are 1/2" diameter.
- Diagonal brace sets are Interlake Orange.



OR Scheme 2

Scheme #	Interlake	Item	Model	Code	Color	Width of Bay (In.)	Upright Ht. (In.) of Bay	Weight (lbs.)
	1	2	3-6	7-11	12	13-15	16-18	
2	T	C	600X	00000	R	048	228	30
2	T	C	600X	00000	R	054	228	31
2	T	C	600X	00000	R	060	228	31
2	T	C	600X	00000	R	066	228	32
2	T	C	600X	00000	R	072	228	33
2	T	C	600X	00000	R	048	264	41
2	T	C	600X	00000	R	054	264	42
2	T	C	600X	00000	R	060	264	43
2	T	C	600X	00000	R	066	264	44
2	T	C	600X	00000	R	072	264	46
2	T	C	600X	00000	R	048	312	45
2	T	C	600X	00000	R	054	312	46
2	T	C	600X	00000	R	060	312	47
2	T	C	600X	00000	R	066	312	48
2	T	C	600X	00000	R	072	312	50
2	T	C	600X	00000	R	048	336	56
2	T	C	600X	00000	R	054	336	58
2	T	C	600X	00000	R	060	336	59
2	T	C	600X	00000	R	066	336	60
2	T	C	600X	00000	R	072	336	63

Diagonal Bracing Set Requirements

X Bracing Requirements

Upright Model	Required Every
940	5 Bays
941	4 Bays
942	3 Bays
943	2 Bays
944	Bay
945	Bay

Example

10 Bay Row with 940 Upright X Bracing required with every 5th Bay

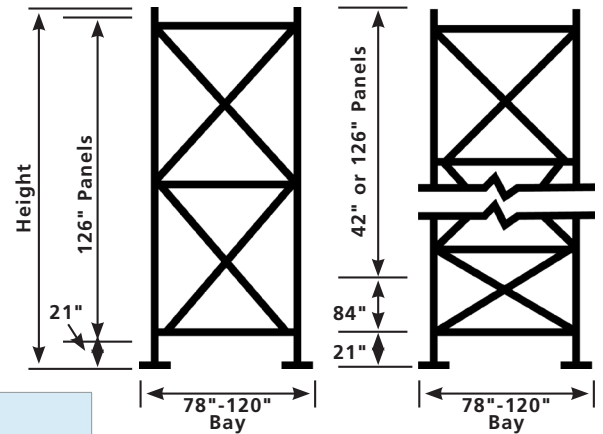


We recommend adding one extra X braced bay



Diagonal Bracing Sets - Scheme 3

- Horizontal braces are not included. Order separately, see page 58.
- For quantity required and shipping bill of materials, see pages 54-57.
- Rods are 1/2" diameter.
- Diagonal brace sets are Interlake Orange.



Scheme 3

Scheme #	Interlake	Item	Model	Code	Color	Width of Bay (In.)	Upright Ht. (In.) of Bay	Weight (lbs.)
	1	2	3-6	7-11	12	13-15	16-18	
3	T	C	600X	00000	R	078	096	14
3	T	C	600X	00000	R	084	096	14
3	T	C	600X	00000	R	090	096	15
3	T	C	600X	00000	R	096	096	16
3	T	C	600X	00000	R	102	096	16
3	T	C	600X	00000	R	108	096	17
3	T	C	600X	00000	R	114	096	18
3	T	C	600X	00000	R	120	096	18
3	T	C	600X	00000	R	078	144	17
3	T	C	600X	00000	R	084	144	17
3	T	C	600X	00000	R	090	144	18
3	T	C	600X	00000	R	096	144	18
3	T	C	600X	00000	R	102	144	19
3	T	C	600X	00000	R	108	144	20
3	T	C	600X	00000	R	114	144	20
3	T	C	600X	00000	R	120	144	21
3	T	C	600X	00000	R	078	180	21
3	T	C	600X	00000	R	084	180	21
3	T	C	600X	00000	R	090	180	22
3	T	C	600X	00000	R	096	180	22
3	T	C	600X	00000	R	102	180	23
3	T	C	600X	00000	R	108	180	23
3	T	C	600X	00000	R	114	180	24
3	T	C	600X	00000	R	120	180	24

Diagonal Bracing Set Requirements

X Bracing Requirements

Upright Model	Required Every
940	5 Bays
941	4 Bays
942	3 Bays
943	2 Bays
944	Bay
945	Bay

Example

10 Bay Row with 940 Upright X Bracing required with every 5th Bay

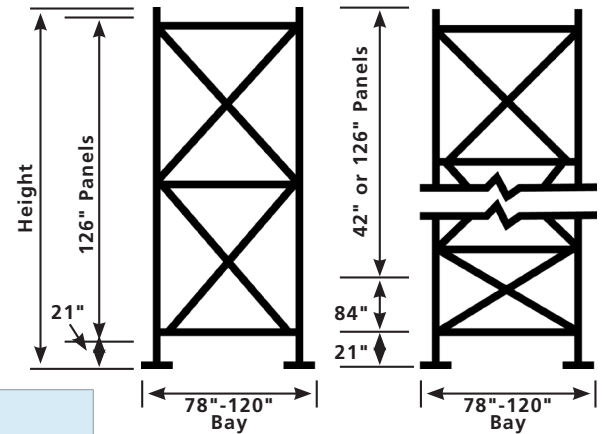


We recommend adding one extra X braced bay



Diagonal Bracing Sets - Scheme 3

- Horizontal braces are not included. Order separately, see page 58.
- For quantity required and shipping bill of materials, see pages 54-57.
- Rods are 1/2" diameter.
- Diagonal brace sets are Interlake Orange.



Scheme 3

Scheme #	Interlake	Item	Model	Code	Color	Width of Bay (In.)	Upright Ht. (In.) of Bay	Weight (lbs.)
	1	2	3-6	7-11	12	13-15	16-18	
3	T	C	600X	00000	R	078	228	35
3	T	C	600X	00000	R	084	228	36
3	T	C	600X	00000	R	090	228	37
3	T	C	600X	00000	R	096	228	38
3	T	C	600X	00000	R	102	228	39
3	T	C	600X	00000	R	108	228	40
3	T	C	600X	00000	R	114	228	41
3	T	C	600X	00000	R	120	228	42
3	T	C	600X	00000	R	078	264	38
3	T	C	600X	00000	R	084	264	39
3	T	C	600X	00000	R	090	264	40
3	T	C	600X	00000	R	096	264	41
3	T	C	600X	00000	R	102	264	42
3	T	C	600X	00000	R	108	264	43
3	T	C	600X	00000	R	114	264	44
3	T	C	600X	00000	R	120	264	45
3	T	C	600X	00000	R	078	312	42
3	T	C	600X	00000	R	084	312	43
3	T	C	600X	00000	R	090	312	44
3	T	C	600X	00000	R	096	312	44
3	T	C	600X	00000	R	102	312	46
3	T	C	600X	00000	R	108	312	46
3	T	C	600X	00000	R	114	312	48
3	T	C	600X	00000	R	120	312	48

Diagonal Bracing Set Requirements

X Bracing Requirements

Upright Model	Required Every
940	5 Bays
941	4 Bays
942	3 Bays
943	2 Bays
944	Bay
945	Bay

Example

10 Bay Row with 940 Upright X Bracing required with every 5th Bay

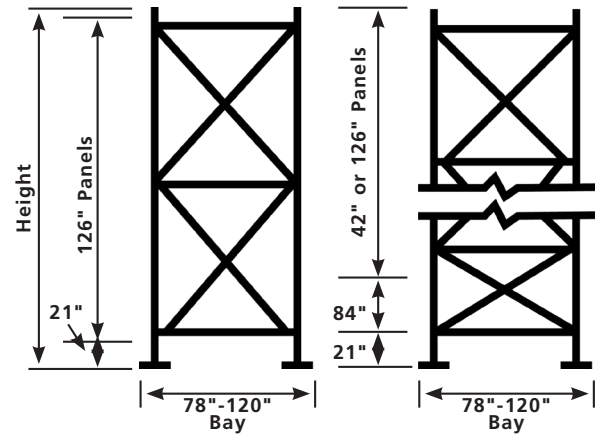


We recommend adding one extra X braced bay



Diagonal Bracing Sets - Scheme 3

- Horizontal braces are not included. Order separately, see page 58.
- For quantity required and shipping bill of materials, see pages 54-57.
- Rods are 1/2" diameter.
- Diagonal brace sets are Interlake Orange.



Scheme 3

Scheme #	Interlake	Item	Model	Code	Color	Width of Bay (In.)	Upright Ht. (In.) of Bay	Weight (lbs.)
	1	2	3-6	7-11	12	13-15	16-18	
3	T	C	600X	00000	R	078	336	52
3	T	C	600X	00000	R	084	336	54
3	T	C	600X	00000	R	090	336	56
3	T	C	600X	00000	R	096	336	57
3	T	C	600X	00000	R	102	336	59
3	T	C	600X	00000	R	108	336	60
3	T	C	600X	00000	R	114	336	62
3	T	C	600X	00000	R	120	336	63

Diagonal Bracing Set Requirements

X Bracing Requirements

Upright Model	Required Every
940	5 Bays
941	4 Bays
942	3 Bays
943	2 Bays
944	Bay
945	Bay

Example

10 Bay Row with 940 Upright X Bracing required with every 5th Bay



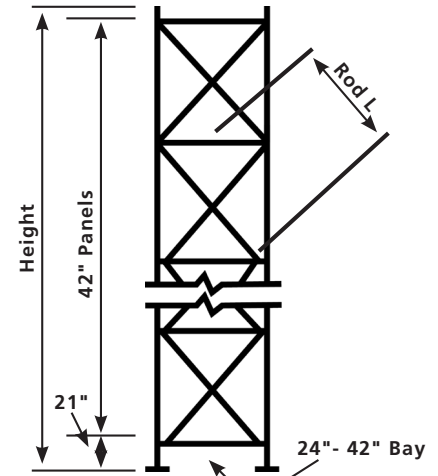
We recommend adding one extra X braced bay



Diagonal Bracing Sets - Scheme 1 Reference Bill of Material

• Horizontal braces are not included as part of X-Brace Assembly. These must be ordered separately. See page 58.

- (1) IA547X _ _ _ 00R000000 X- Brace Rods (Enter Length codes into positions 7, 8, and 9 as shown per item.)
- (2) IHALN10233DG000000 Connector Plates
- (3) IHABH10138DP000000 1/2" - 13 x 1-1/2" Bolts
- (4) IHABH10149DP000000 1/2" - 13 Locknut



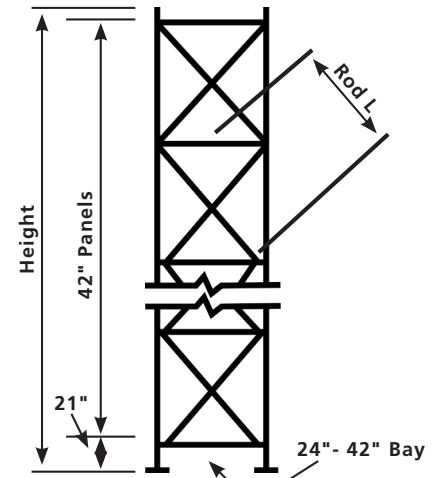
Scheme 1

Height		X Brace Assembly 18 Digit Catalog Number	# Horizontal Braces Req'd	Panel Height		X- Brace Assembly Breakdown of Shipped Components						
Nominal Upright	Actual Range			Short	Long	Quantity Short Rods	Length (in.) ⁽¹⁾	Quantity Long Rods	Length (in.) ⁽¹⁾	Quantity Connector Plates ⁽²⁾	Quantity Bolts ⁽³⁾	Quantity Locknuts ⁽⁴⁾
16,17,18												
096	63" - 105"	TC600X00000R024096 TC600X00000R030096 TC600X00000R036096 TC600X00000R042096	2 2 2 2	1 @ 42" 1 @ 42" 1 @ 42" 1 @ 42"	n/a n/a n/a n/a	2 2 2 2	041 044 047 051	n/a n/a n/a n/a	n/a n/a n/a n/a	2 2 2 2	4 4 4 4	6 6 6 6
144	108" - 147"	TC600X00000R024144 TC600X00000R030144 TC600X00000R036144 TC600X00000R042144	3 3 3 3	2 @ 42" 2 @ 42" 2 @ 42" 2 @ 42"	n/a n/a n/a n/a	4 4 4 4	041 044 047 051	n/a n/a n/a n/a	n/a n/a n/a n/a	4 4 4 4	8 8 8 8	12 12 12 12
180	150" - 183"	TC600X00000R024180 TC600X00000R030180 TC600X00000R036180 TC600X00000R042180	4 4 4 4	3 @ 42" 3 @ 42" 3 @ 42" 3 @ 42"	n/a n/a n/a n/a	6 6 6 6	041 044 047 051	n/a n/a n/a n/a	n/a n/a n/a n/a	6 6 6 6	12 12 12 12	18 18 18 18
228	186" - 231"	TC600X00000R024228 TC600X00000R030228 TC600X00000R036228 TC600X00000R042228	5 5 5 5	4 @ 42" 4 @ 42" 4 @ 42" 4 @ 42"	n/a n/a n/a n/a	8 8 8 8	041 044 047 051	n/a n/a n/a n/a	n/a n/a n/a n/a	8 8 8 8	16 16 16 16	24 24 24 24

Diagonal Bracing Sets - Scheme 1 Reference Bill of Material

• Horizontal braces are not included as part of X-Brace Assembly. These must be ordered separately. See page 58.

- (1) IA547X _ _ _ 00R000000 X- Brace Rods (Enter Length codes into positions 7, 8, and 9 as shown per item.)
- (2) IHALN10233DG000000 Connector Plates
- (3) IHABH10138DP000000 1/2" - 13 x 1-1/2" Bolts
- (4) IHABH10149DP000000 1/2" - 13 Locknut



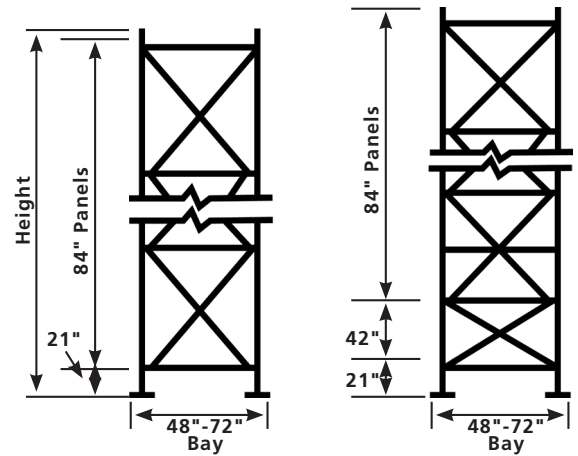
Scheme 1

Height		X Brace Assembly 18 Digit Catalog Number	# Horizontal Braces Req'd	Panel Height		X-Brace Assembly Breakdown of Shipped Components				Quantity Connector Plates ⁽²⁾	Quantity Bolts ⁽³⁾	Quantity Locknuts ⁽⁴⁾
Nominal Upright	Actual Range			Short	Long	Quantity Short Rods	Length (in.) ⁽¹⁾	Quantity Long Rods	Length (in.) ⁽¹⁾			
16,17,18												
264	234" -270"	TC600X00000R024264 TC600X00000R030264 TC600X00000R036264 TC600X00000R042264	6	5 @ 42"	n/a	10	041	n/a	n/a	10	20	30
			6	5 @ 42"	n/a	10	044	n/a	n/a	10	20	30
			6	5 @ 42"	n/a	10	047	n/a	n/a	10	20	30
			6	5 @ 42"	n/a	10	051	n/a	n/a	10	20	30
312	273" -315"	TC600X00000R024312 TC600X00000R030312 TC600X00000R036312 TC600X00000R042312	7	6 @ 42"	n/a	12	041	n/a	n/a	12	24	36
			7	6 @ 42"	n/a	12	044	n/a	n/a	12	24	36
			7	6 @ 42"	n/a	12	047	n/a	n/a	12	24	36
			7	6 @ 42"	n/a	12	051	n/a	n/a	12	24	36
336	318" -336"	TC600X00000R024336 TC600X00000R030336 TC600X00000R036336 TC600X00000R042336	8	7 @ 42"	n/a	14	041	n/a	n/a	14	28	42
			8	7 @ 42"	n/a	14	044	n/a	n/a	14	28	42
			8	7 @ 42"	n/a	14	047	n/a	n/a	14	28	42
			8	7 @ 42"	n/a	14	051	n/a	n/a	14	28	42

Diagonal Bracing Sets - Scheme 2 Reference Bill of Material

• Horizontal braces are not included as part of X-Brace Assembly. These must be ordered separately. See page 58.

- (1) IA547X _ _ _ 00R000000 X- Brace Rods (Enter Length codes into positions 7, 8, and 9 as shown per item.)
- (2) IHALN10233DG000000 Connector Plates
- (3) IHABH10138DP000000 1/2" - 13 x 1-1/2" Bolts
- (4) IHABH10149DP000000 1/2" - 13 Locknut



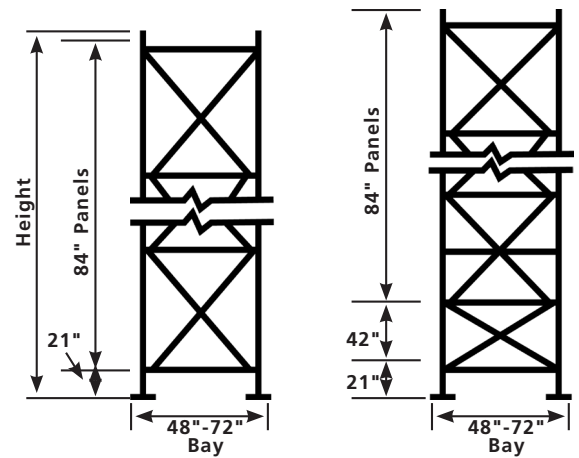
OR Scheme 2

Height		X Brace Assembly 18 Digit Catalog Number	# Horizontal Braces Req'd	Panel Height		X-Brace Assembly Breakdown of Shipped Components				Quantity Connector Plates ⁽²⁾	Quantity Bolts ⁽³⁾	Quantity Locknuts ⁽⁴⁾
Nominal Upright	Actual Range			Short	Long	Quantity Short Rods	Length (in.) ⁽¹⁾	Quantity Long Rods	Length (in.) ⁽¹⁾			
16,17,18												
096	63" - 105"	TC600X00000R048096 TC600X00000R054096 TC600X00000R060096 TC600X00000R066096 TC600X00000R072096	2 2 2 2 2	1 @ 42" 1 @ 42" 1 @ 42" 1 @ 42" 1 @ 42"	n/a n/a n/a n/a n/a	2 2 2 2 2	055 059 064 069 074	n/a n/a n/a n/a n/a	n/a n/a n/a n/a n/a	2 2 2 2 2	4 4 4 4 4	6 6 6 6 6
144	108- 147"	TC600X00000R048144 TC600X00000R054144 TC600X00000R060144 TC600X00000R066144 TC600X00000R072144	2 2 2 2 2	1 @ 84" 1 @ 84" 1 @ 84" 1 @ 84" 1 @ 84"	n/a n/a n/a n/a n/a	2 2 2 2 2	090 093 094 099 103	n/a n/a n/a n/a n/a	n/a n/a n/a n/a n/a	2 2 2 2 2	4 4 4 4 4	6 6 6 6 6
180	150" - 183"	TC600X00000R048180 TC600X00000R054180 TC600X00000R060180 TC600X00000R066180 TC600X00000R072180	3 3 3 3 3	1 @ 42" 1 @ 42" 1 @ 42" 1 @ 42" 1 @ 42"	1 @ 84" 1 @ 84" 1 @ 84" 1 @ 84" 1 @ 84"	2 2 2 2 2	055 059 064 069 074	2 2 2 2 2	090 093 096 099 103	4 4 4 4 4	8 8 8 8 8	12 12 12 12 12
228	186-" 231"	TC600X00000R048228 TC600X00000R054228 TC600X00000R060228 TC600X00000R066228 TC600X00000R072228	3 3 3 3 3	2 @ 84" 2 @ 84" 2 @ 84" 2 @ 84" 2 @ 84"	n/a n/a n/a n/a n/a	4 4 4 4 4	090 093 096 099 103	n/a n/a n/a n/a n/a	n/a n/a n/a n/a n/a	4 4 4 4 4	8 8 8 8 8	12 12 12 12 12

Diagonal Bracing Sets - Scheme 2 Reference Bill of Material

• Horizontal braces are not included as part of X-Brace Assembly. These must be ordered separately. See page 58.

- (1) IA547X _ _ _ 00R000000 X- Brace Rods (Enter Length codes into positions 7, 8, and 9 as shown per item.)
- (2) IHALN10233DG000000 Connector Plates
- (3) IHABH10138DP000000 1/2" - 13 x 1-1/2" Bolts
- (4) IHABH10149DP000000 1/2" - 13 Locknut



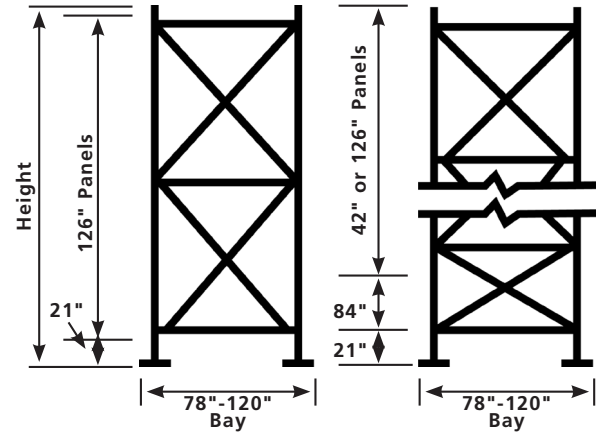
OR Scheme 2

Height		X Brace Assembly 18 Digit Catalog Number	# Horizontal Braces Req'd	Panel Height		X-Brace Assembly Breakdown of Shipped Components				Quantity Connector Plates ⁽²⁾	Quantity Bolts ⁽³⁾	Quantity Locknuts ⁽⁴⁾
Nominal Upright	Actual Range			Short	Long	Quantity Short Rods	Length (in.) ⁽¹⁾	Quantity Long Rods	Length (in.) ⁽¹⁾			
16,17,18												
264	234" - 270"	TC600X00000R048264	4	1 @ 42"	2 @ 84"	2	055	4	090	6	12	18
		TC600X00000R054264	4	1 @ 42"	2 @ 84"	2	059	4	093	6	12	18
		TC600X00000R060264	4	1 @ 42"	2 @ 84"	2	064	4	096	6	12	18
		TC600X00000R066264	4	1 @ 42"	2 @ 84"	2	069	4	099	6	12	18
		TC600X00000R072264	4	1 @ 42"	2 @ 84"	2	074	4	103	6	12	18
312	273" - 315"	TC600X00000R048312	4	3 @ 84"	n/a	6	090	n/a	n/a	6	12	18
		TC600X00000R054312	4	3 @ 84"	n/a	6	093	n/a	n/a	6	12	18
		TC600X00000R060312	4	3 @ 84"	n/a	6	096	n/a	n/a	6	12	18
		TC600X00000R066312	4	3 @ 84"	n/a	6	099	n/a	n/a	6	12	18
		TC600X00000R072312	4	3 @ 84"	n/a	6	103	n/a	n/a	6	12	18
336	318" - 336"	TC600X00000R048336	5	1 @ 42"	3 @ 84"	2	055	6	090	8	16	24
		TC600X00000R054336	5	1 @ 42"	3 @ 84"	2	059	6	093	8	16	24
		TC600X00000R060336	5	1 @ 42"	3 @ 84"	2	064	6	096	8	16	24
		TC600X00000R066336	5	1 @ 42"	3 @ 84"	2	069	6	099	8	16	24
		TC600X00000R072336	5	1 @ 42"	3 @ 84"	2	074	6	103	8	16	24

Diagonal Bracing Sets - Scheme 3 Reference Bill of Material

• Horizontal braces are not included as part of X-Brace Assembly. These must be ordered separately. See page 58.

- (1) IA547X _ _ _ 00R000000 X- Brace Rods (Enter Length codes into positions 7, 8, and 9 as shown per item.)
- (2) IHALN10233DG000000 Connector Plates
- (3) IHABH10138DP000000 1/2" - 13 x 1-1/2" Bolts
- (4) IHABH10149DP000000 1/2" - 13 Locknut



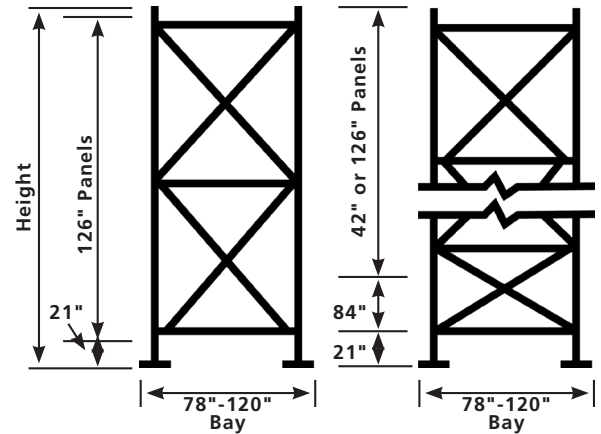
Scheme 3

Height		X Brace Assembly 18 Digit Catalog Number	# Horizontal Braces Req'd	Panel Height		X-Brace Assembly Breakdown of Shipped Components				Quantity Connector Plates ⁽²⁾	Quantity Bolts ⁽³⁾	Quantity Locknuts ⁽⁴⁾
Nominal Upright	Actual Range			Short	Long	Quantity Short Rods	Length (in.) ⁽¹⁾	Quantity Long Rods	Length (in.) ⁽¹⁾			
16,17,18												
096	63" - 105"	TC600X00000R078096	2	1 @ 42"	n/a	2	079	n/a	n/a	2	4	6
		TC600X00000R084096	2	1 @ 42"	n/a	2	084	n/a	n/a	2	4	6
		TC600X00000R090096	2	1 @ 42"	n/a	2	089	n/a	n/a	2	4	6
		TC600X00000R096096	2	1 @ 42"	n/a	2	095	n/a	n/a	2	4	6
		TC600X00000R102096	2	1 @ 42"	n/a	2	100	n/a	n/a	2	4	6
		TC600X00000R108096	2	1 @ 42"	n/a	2	106	n/a	n/a	2	4	6
		TC600X00000R114096	2	1 @ 42"	n/a	2	111	n/a	n/a	2	4	6
		TC600X00000R120096	2	1 @ 42"	n/a	2	117	n/a	n/a	2	4	6
144	108" - 147"	TC600X00000R078144	2	1 @ 84"	n/a	2	106	n/a	n/a	2	4	6
		TC600X00000R084144	2	1 @ 84"	n/a	2	110	n/a	n/a	2	4	6
		TC600X00000R090144	2	1 @ 84"	n/a	2	114	n/a	n/a	2	4	6
		TC600X00000R096144	2	1 @ 84"	n/a	2	119	n/a	n/a	2	4	6
		TC600X00000R102144	2	1 @ 84"	n/a	2	123	n/a	n/a	2	4	6
		TC600X00000R108144	2	1 @ 84"	n/a	2	128	n/a	n/a	2	4	6
		TC600X00000R114144	2	1 @ 84"	n/a	2	132	n/a	n/a	2	4	6
		TC600X00000R120144	2	1 @ 84"	n/a	2	137	n/a	n/a	2	4	6

Diagonal Bracing Sets - Scheme 3 Reference Bill of Material

• Horizontal braces are not included as part of X-Brace Assembly. These must be ordered separately. See page 58.

- (1) IA547X _ _ _ 00R000000 X- Brace Rods (Enter Length codes into positions 7, 8, and 9 as shown per item.)
- (2) IHALN10233DG000000 Connector Plates
- (3) IHABH10138DP000000 1/2" - 13 x 1-1/2" Bolts
- (4) IHABH10149DP000000 1/2" - 13 Locknut



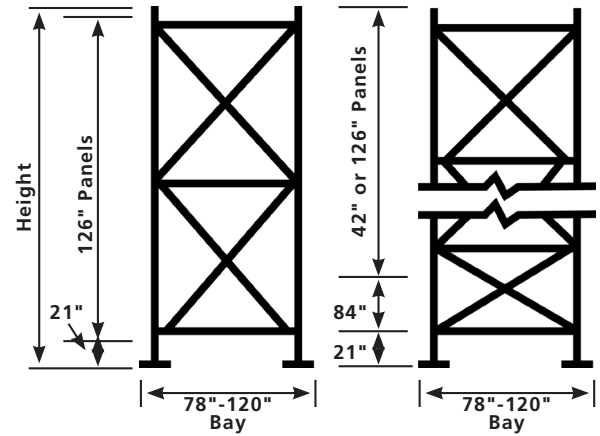
Scheme 3

Height		X Brace Assembly 18 Digit Catalog Number	# Horizontal Braces Req'd	Panel Height		X- Brace Assembly Breakdown of Shipped Components						
Nominal Upright	Actual Range			Short	Long	Quantity Short Rods	Length (in.) ⁽¹⁾	Quantity Long Rods	Length (in.) ⁽¹⁾	Quantity Connector Plates ⁽²⁾	Quantity Bolts ⁽³⁾	Quantity Locknuts ⁽⁴⁾
16,17,18												
180	150" - 183"	TC600X00000R078180	2	1 @ 126"	n/a	2	141	n/a	n/a	2	4	6
		TC600X00000R084180	2	1 @ 126"	n/a	2	144	n/a	n/a	2	4	6
		TC600X00000R090180	2	1 @ 126"	n/a	2	147	n/a	n/a	2	4	6
		TC600X00000R096180	2	1 @ 126"	n/a	2	151	n/a	n/a	2	4	6
		TC600X00000R102180	2	1 @ 126"	n/a	2	154	n/a	n/a	2	4	6
		TC600X00000R108180	2	1 @ 126"	n/a	2	158	n/a	n/a	2	4	6
		TC600X00000R114180	2	1 @ 126"	n/a	2	162	n/a	n/a	2	4	6
		TC600X00000R120180	2	1 @ 126"	n/a	2	166	n/a	n/a	2	4	6
228	186" - 231"	TC600X00000R078228	3	1 @ 42"	1 @ 126"	2	079	2	141	4	8	12
		TC600X00000R084228	3	1 @ 42"	1 @ 126"	2	084	2	144	4	8	12
		TC600X00000R090228	3	1 @ 42"	1 @ 126"	2	089	2	147	4	8	12
		TC600X00000R096228	3	1 @ 42"	1 @ 126"	2	095	2	151	4	8	12
		TC600X00000R102228	3	1 @ 42"	1 @ 126"	2	100	2	154	4	8	12
		TC600X00000R108228	3	1 @ 42"	1 @ 126"	2	106	2	158	4	8	12
		TC600X00000R114228	3	1 @ 42"	1 @ 126"	2	111	2	162	4	8	12
		TC600X00000R120228	3	1 @ 42"	1 @ 126"	2	117	2	166	4	8	12

Diagonal Bracing Sets - Scheme 3 Reference Bill of Material

• Horizontal braces are not included as part of X-Brace Assembly. These must be ordered separately. See page 58.

- (1) IA547X _ _ _ 00R000000 X- Brace Rods (Enter Length codes into positions 7, 8, and 9 as shown per item.)
- (2) IHALN10233DG000000 Connector Plates
- (3) IHABH10138DP000000 1/2" - 13 x 1-1/2" Bolts
- (4) IHABH10149DP000000 1/2" - 13 Locknut



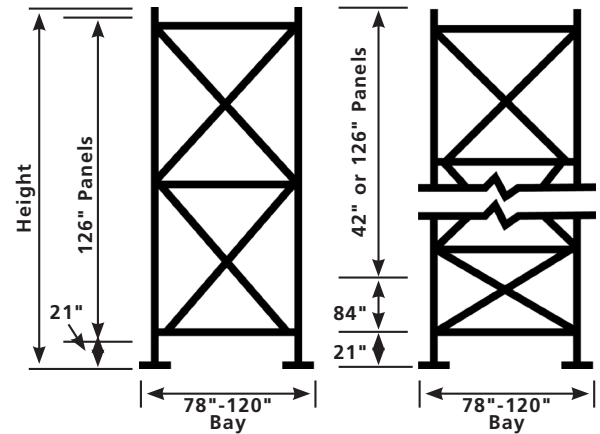
Scheme 3

Height		X Brace Assembly 18 Digit Catalog Number	# Horizontal Braces Req'd	Panel Height		X- Brace Assembly Breakdown of Shipped Components						
Nominal Upright	Actual Range			Short	Long	Quantity Short Rods	Length (in.) ⁽¹⁾	Quantity Long Rods	Length (in.) ⁽¹⁾	Quantity Connector Plates ⁽²⁾	Quantity Bolts ⁽³⁾	Quantity Locknuts ⁽⁴⁾
16,17,18												
264	234" - 270"	TC600X00000R078264	3	1 @ 84"	1 @ 126"	2		2		4	8	12
		TC600X00000R084264	3	1 @ 84"	1 @ 126"	2	106	2	141	4	8	12
		TC600X00000R090264	3	1 @ 84"	1 @ 126"	2	110	2	144	4	8	12
		TC600X00000R09264	3	1 @ 84"	1 @ 126"	2	114	2	147	4	8	12
		TC600X00000R096264	3	1 @ 84"	1 @ 126"	2	119	2	151	4	8	12
		TC600X00000R102264	3	1 @ 84"	1 @ 126"	2	123	2	154	4	8	12
		TC600X00000R108264	3	1 @ 84"	1 @ 126"	2	128	2	158	4	8	12
		TC600X00000R114264	3	1 @ 84"	1 @ 126"	2	132	2	162	4	8	12
		TC600X00000R120264	3	1 @ 84"	1 @ 126"	2	137	2	166	4	8	12
312	273" - 315"	TC600X00000R078312	3	2 @ 126"	n/a	4		n/a	n/a	4	8	12
		TC600X00000R084312	3	2 @ 126"	n/a	4	141	n/a	n/a	4	8	12
		TC600X00000R090312	3	2 @ 126"	n/a	4	144	n/a	n/a	4	8	12
		TC600X00000R09312	3	2 @ 126"	n/a	4	147	n/a	n/a	4	8	12
		TC600X00000R096312	3	2 @ 126"	n/a	4	151	n/a	n/a	4	8	12
		TC600X00000R102312	3	2 @ 126"	n/a	4	154	n/a	n/a	4	8	12
		TC600X00000R108312	3	2 @ 126"	n/a	4	158	n/a	n/a	4	8	12
		TC600X00000R114312	3	2 @ 126"	n/a	4	162	n/a	n/a	4	8	12
		TC600X00000R120312	3	2 @ 126"	n/a	4	166	n/a	n/a	4	8	12

Diagonal Bracing Sets - Scheme 3 Reference Bill of Material

• Horizontal braces are not included as part of X-Brace Assembly. These must be ordered separately. See page 58.

- (1) IA547X _ _ _ 00R000000 X- Brace Rods (Enter Length codes into positions 7, 8, and 9 as shown per item.)
- (2) IHALN10233DG000000 Connector Plates
- (3) IHABH10138DP000000 1/2" - 13 x 1-1/2" Bolts
- (4) IHABH10149DP000000 1/2" - 13 Locknut

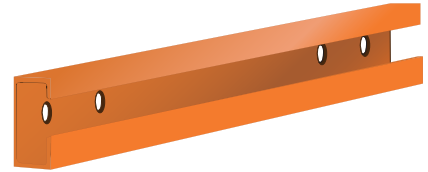


Scheme 3

Height		X Brace Assembly 18 Digit Catalog Number	# Horizontal Braces Req'd	Panel Height		X- Brace Assembly Breakdown of Shipped Components						
Nominal Upright	Actual Range			Short	Long	Quantity Short Rods	Length (in.) ⁽¹⁾	Quantity Long Rods	Length (in.) ⁽¹⁾	Quantity Connector Plates ⁽²⁾	Quantity Bolts ⁽³⁾	Quantity Locknuts ⁽⁴⁾
16,17,18												
336	318" - 336"	TC600X00000R078336	4	1 @ 42"	2 @ 126"	2		4		6	12	18
		TC600X00000R084336	4	1 @ 42"	2 @ 126"	2	079	4	141	6	12	18
		TC600X00000R090336	4	1 @ 42"	2 @ 126"	2	084	4	142	6	12	18
		TC600X00000R096336	4	1 @ 42"	2 @ 126"	2	089	4	147	6	12	18
		TC600X00000R096336	4	1 @ 42"	2 @ 126"	2	095	4	151	6	12	18
		TC600X00000R102336	4	1 @ 42"	2 @ 126"	2	100	4	154	6	12	18
		TC600X00000R108336	4	1 @ 42"	2 @ 126"	2	106	4	158	6	12	18
		TC600X00000R114336	4	1 @ 42"	2 @ 126"	2	111	4	162	6	12	18
		TC600X00000R120336	4	1 @ 42"	2 @ 126"	2	117	4	166	6	12	18

Horizontal Brace

- See the diagonal bracing charts on pages 50 through 57 for the number of horizontal braces required per bay.
- Prices of Horizontal Braces are not included in price for Cantilever Diagonal Bracing Set.
- Ships with: (2) 1/2" - 13 x 1" Bolts, IHABH10136DP000000 and (2) 1/2" - 13 Locknuts, IHANH10149DP000000
- Product code positions 13 through 18 are zeros.
- Color: Interlake Orange



Bay Width	Interlake	Item	Model	Style	Bay Width (in.)	Color	Weight Each (lbs.)
	1	2	3-5	6	7-11	12	
24"	I	C	500	H	02400	R	3
30"	I	C	500	H	03000	R	4
36"	I	C	500	H	03600	R	4
42"	I	C	500	H	04200	R	5
48"	I	C	500	H	04800	R	6
54"	I	C	500	H	05400	R	7
60"	I	C	500	H	06000	R	8
66"	I	C	500	H	06600	R	9
72"	I	C	500	H	07200	R	9
78"	I	C	500	H	07800	R	10
84"	I	C	500	H	08400	R	11
90"	I	C	500	H	09000	R	12
96"	I	C	500	H	09600	R	13
108"	I	C	500	H	10800	R	14
120"	I	C	500	H	12000	R	16



e-mail: info@interlakemecalux.com - interlakemecalux.com

SALES OFFICES

CHICAGO
Tel. 1-708-344-9999
1600 North 25th Ave.
Melrose Park, IL 60160

DALLAS
Tel. 1-972-245-3910
12301 N Stemmons Freeway,
Suite 110
Farmers Branch, TX 75234

SAN DIEGO
Tel. 1-619-671-0335
8607 Ave. De La Fuente
San Diego, CA 92154

PRODUCTION PLANTS

CHICAGO
Tel. 1-708-344-9999
1600 North 25th Avenue
Melrose Park, IL 60160

MATAMOROS
Tel. (868) 811 44 00
Las Rusias 2700, Industrial
del Norte
Matamoros Tamaulipas -
C.P. 87316

PONTIAC
Tel. 1-877-632-2589
701 Interlake Drive
Pontiac, IL 61764

TIJUANA
Tel. (664) 647 22 00
Blvd. Bellas Artes, 9001
Ciudad Industrial Nueva Tijuana
Tijuana, B.C. - C.P. 22444

OFFICES WORLDWIDE

Argentina, Belgium, Brazil, Canada, Chile, Czechia, Colombia, France, Germany, Holland, Italy, Mexico, Peru, Poland, Portugal, Slovakia, Spain, Turkey, United Kingdom, Uruguay and USA.

