


Wheelhouse™

HIGH-DENSITY MOBILE STORAGE SYSTEM

It fits right in.

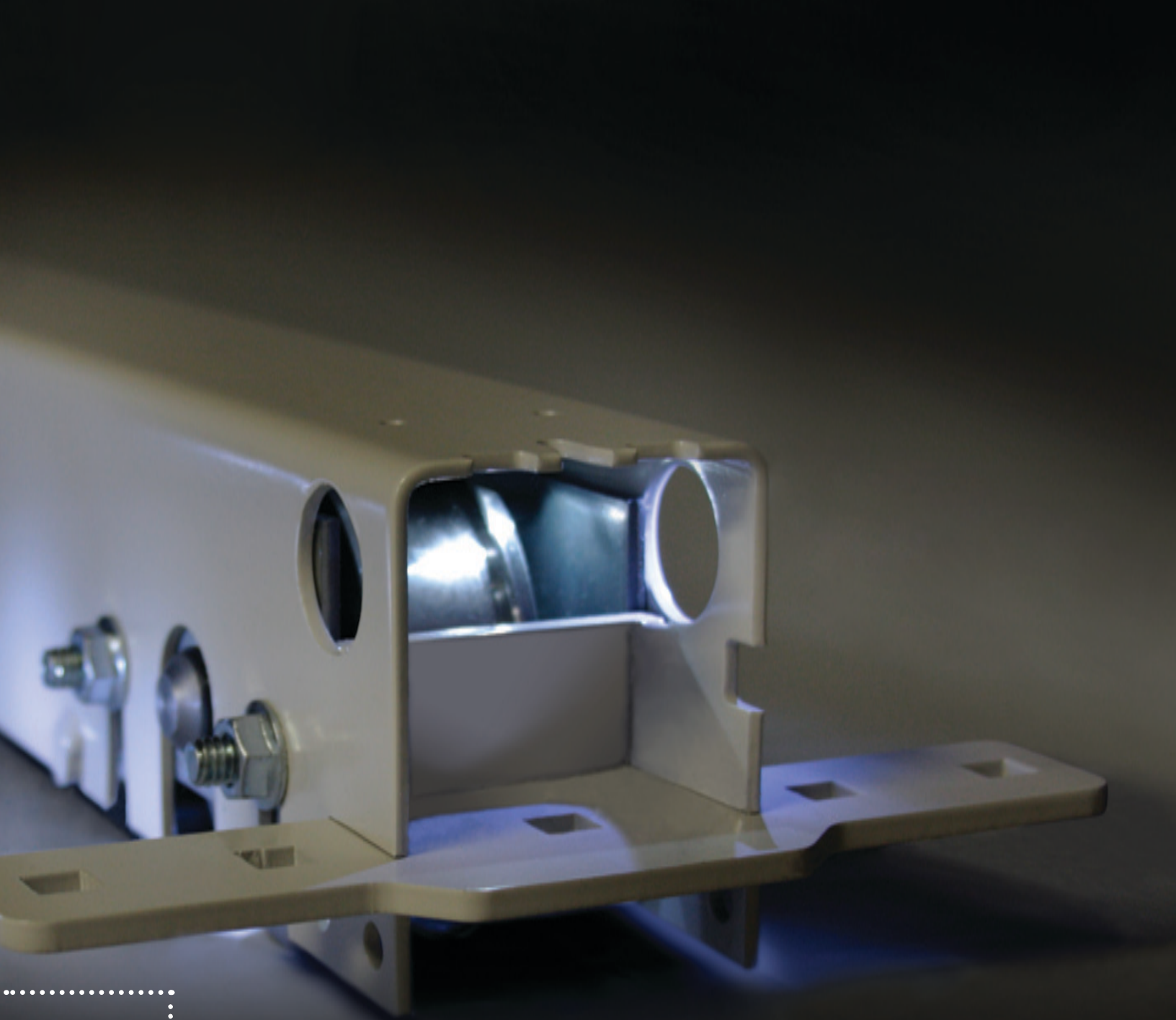




This is storage reconceived from the wheels up. Wheelhouse™ High-Density Mobile Storage System from Spacesaver combines strength and adaptability in a low-profile modular system that makes the most of every inch of space.

The storage system you choose has to fit your space, your budget, and your plans. Spaces change, and plans change, too. Your system should be easy to reconfigure, expand, and even relocate. There's a lot riding on this decision – select the design option that brings together low-profile, high-density, low-cost, and high-quality features.

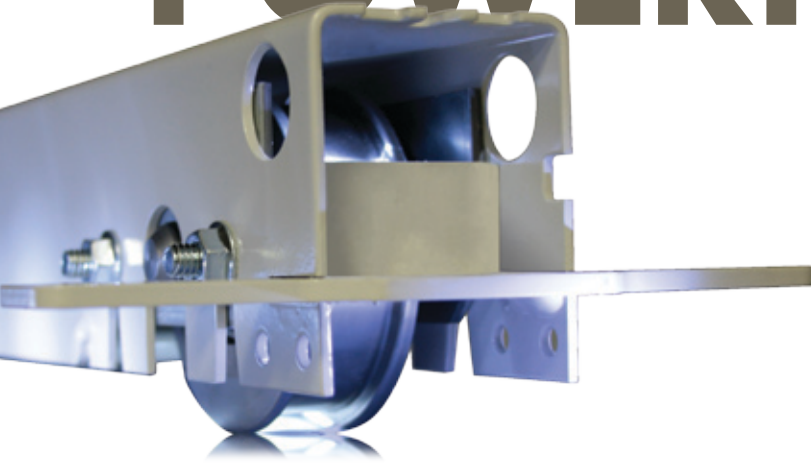
LOWER. LIGHTER. MODULAR.....



.....THAT'S JUST HOW WE

ROLL

BUILT UPON A POWERFUL IDEA

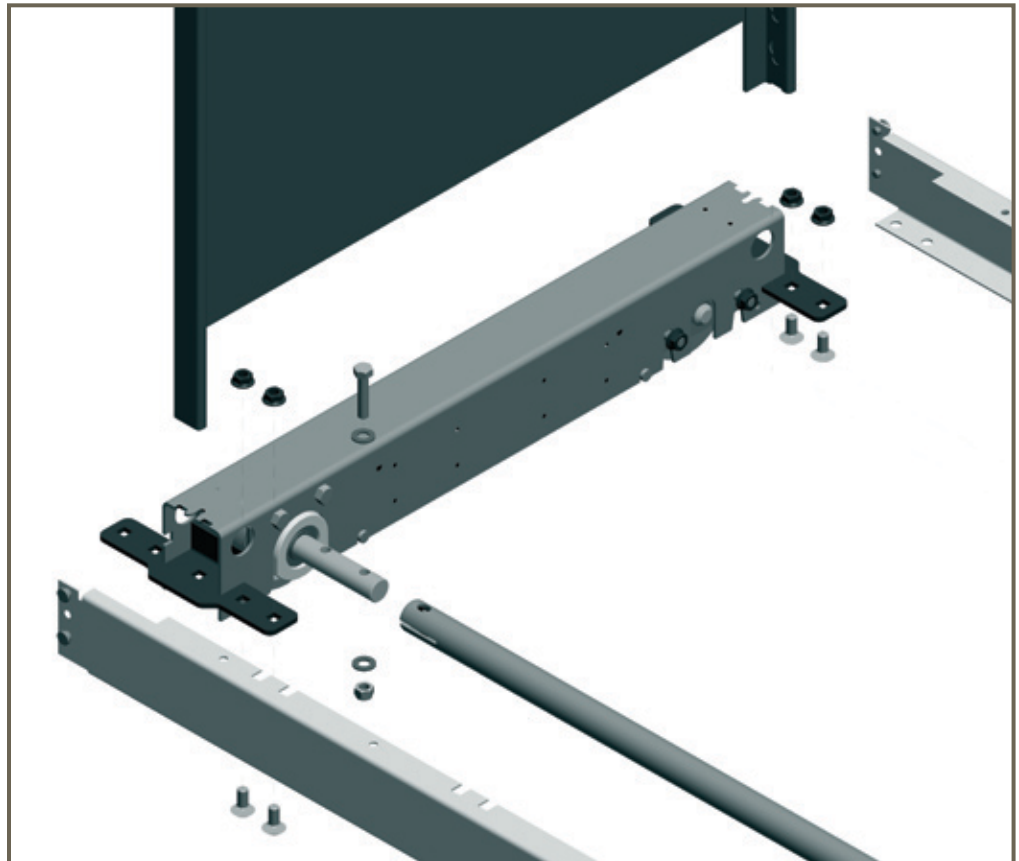


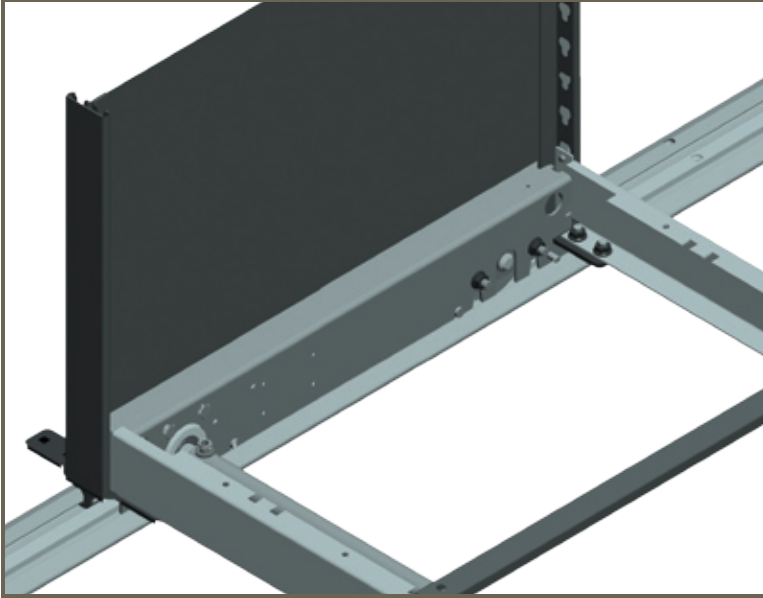
STARTING FROM THE WHEEL HOUSING UP

The Wheelhouse system is built on an innovative notion: Engineer a welded wheel housing around compact 3-inch wheels that is designed to directly interlock with the shelving assembly. That lets you create a rigid chassis that rides lower, weighs less, and stores more in a lower profile.

Interchangeable Components

Interlocking, interchangeable components come together weld-free, so the system ships smaller, assembles more simply, and reconfigures and expands easily to accommodate future changes.





Interlocking Design

Shelving upright posts recess into the 2 1/8-inch channel of the wheel housing, then side profiles double lock into both the uprights and the wheel housing to provide exceptional strength and stability.



Low-Profile Chassis

The surface of the bottom shelf rides only 4 1/4-inches over the top of the rail. Plus you can specify any height in 1/2-inch increments. This means you can store more in less space and meet local building code requirements.

Professional-Grade System

Both 4-post and case-type shelving fit the system in standard widths from 30 to 48 inches, and any depth from 12 to 48 inches, in 1-inch increments. Professional-grade touches include durable powdercoat finishes, full-height end panels, and ADA accessibility compliance.





W H E E L H O U S E

This low-profile rigid system packs more of whatever you're storing into the available space. It can easily be reconfigured to fit new requirements and new spaces. Its efficient design uses less steel and is manufactured from a high percentage of recycled material and low-emitting finishes – it's both durable and sustainable. Wheelhouse is lighter, stronger, smarter – simply put, it fits right in.

Learn more about Wheelhouse™ High-Density Storage System by visiting us at: www.thatsjusthowweroll.com

TIME TO TAKE CONTROL

POWERED

Built on Spacesaver's proprietary Eclipse Powered System™ technology, the powered Wheelhouse systems are the ultimate in safety, reliability, ease of use, and accessibility. With standard lengths up to 16 feet, you can think big. Plug-in-the-wall power makes installation a snap, and the priority aisle feature even can return the system to its most useful default position. Overhead lighting, auto battery backup, aisle entry sensor, and other features add enhanced safety and functionality.



POWERED

SAFETY & SECURITY



A Light Immune Photo Sweep® to ensure safety under all lighting conditions comes standard.



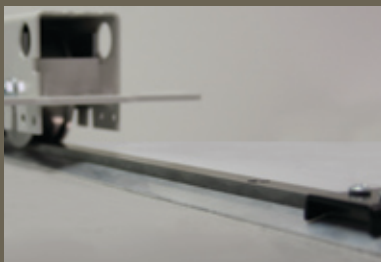
Optional LCD TouchPad Control features PIN access. Audit trail and advanced monitoring functions.

MECHANICAL-ASSIST

Engineered for top performance, mechanical-assist Wheelhouse systems are available in standard lengths up to 16 feet. The easy-to-adjust chain tensioner ensures smooth, responsive operation. An exclusive anti-drift brake is standard on floorless rail systems. A color-coded safety locking pin on the three-spoke handle is standard. Waist-high lock and hub lock available for added security.



RAILS.....

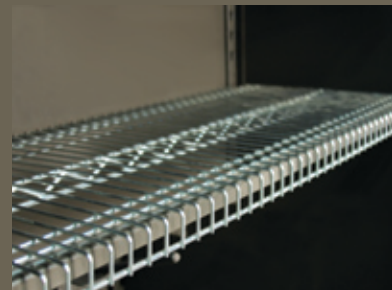


Available: Low-profile ½-inch standard or anti-tip rail. Fully-grouted floor and ramp on standard or anti-tip rail.

OPTIONS.....



Shelf dividers, backstops, and even suspended compartments.



Wire "waterfall" shelving.

MANUAL

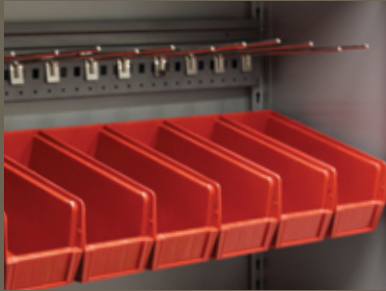
Offering a maximum 8-foot carriage length, manual Wheelhouse systems are designed for smaller storage applications that require less frequent access. A variety of rail options ensures the smoothest performance. Optional waist-high lock is available to secure the system's content.



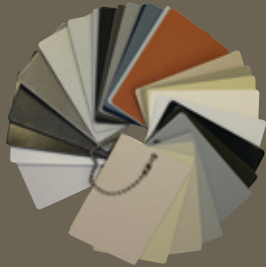
POWERED, MECHANICAL-ASSIST & MANUAL SYSTEMS



Locking drawers and doors.



Hanging bins and hooks on EZ Rail™ element.



Colorful range of paint colors and end-panel options.



Spacesaver Corporation
1450 Janesville Avenue
Fort Atkinson, WI 53538-2798
1-800-492-3434
www.spacesaver.com



KI
1330 Bellevue Street
P.O. Box 8100
Green Bay, WI 54302-8100
1-800-424-2432
www.ki.com

Spacesaver Corporation is a division of KI.
KI is a registered trademark of Krueger International, Inc.
Spacesaver is a registered trademark of Spacesaver Corporation.
© 2009 KI and Spacesaver Corporation. All Rights Reserved. Litho in USA. SC-0904 SSC/MRK 12/09