

Catalog
Number:

Notes:

Type of Fan:

72" TAZ FAN

FEATURES & SPECIFICATIONS

INTENDED USE: Ideal for spaces that need targeted cooling to deliver optimum people comfort, safety, and productivity while enabling energy savings, material and labor cost avoidance resulting in the lowest total cost of ownership. Applications include warehousing (ideal for rack aisles), manufacturing, gymnasiums, agriculture (no fan keeps livestock cooler) and other indoor spaces with minimum 16 FT ceiling height.

NUMBER OF BLADES: 6

BLADE CONSTRUCTION: Corrosion resistant aluminum

ELECTRICAL (MOTOR): 230/460 3 phase AC

ELECTRICAL (CONTROLLER): Premium control with hardware flexibility, programmability, and scalability for an optimal solution. ABB Variable Frequency Drive – Nema 4X, IP66. ESFR relay ready to connect to existing fire suppression systems, integral LOTO (lock-out, tag-out) disconnect ships standard. ROHS compliant. 208-230v or 460-480v standard.

INSTALLATION: Suitable for mounting with chain from virtually any surface.

SAFETY: 4 individual hanging anchor points make TAZ the safest fan on the market.

OPERATING TEMPERATURES:

Motor & Gearbox: -7° C (20° F) to 50° C (122° F)
Controller: -7° C (20° F) to 50° C to (122° F)

WARRANTY: 3 year warranty on motor and controller. Complete warranty terms located at www.gofanyourself.com/company/warranty.

72" TAZ FAN



Follow the Factory Mutual Insurance Company (FM Global) standards, Heating equipment manufacturer's guideline and safety standards such as those published by the National Fire Protection Association (NFPA), and the American Society for Heating, Refrigeration and Air Conditioning Engineers (ASHRAE), and local code authorities.

TECHNICAL SPECIFICATIONS

- Number of Blades: (6) precision balanced heavy duty corrosion resistant 6-paddle aluminum blade.
- Blade Construction: 6 FT blades within a 7 FT fiberglass body. Low pressure wash-down ready.
- Fan Weight: 375 lbs.
- Nominal Motor: 3 hp (2.2 kW)
- RPM: 322
- Air Movement: 80,000 cfm
- Maximum De-stratification Diameter: 100 FT
- Coverage Distance: Area spreading out from the fan to a maximum width of 30 FT and a distance of 200 FT.
- Power Consumption: 2200W
- Nominal Amperage: 4.1A
- Suspension Mount: 1/4" steel chain (highly recommended) or 1/8" steel cable anchored to (4) points (contractor supplied).
- ABB VFD Controller: Premium motor control with hardware flexibility, programmability and scalability for an optimal solution. ROHS compliant, ESFR relay ready, integral LOTO disconnect and
- Safety Features: IP66 Nema 4X rated.
 - (4) unique anchor points, each designed to support the full weight of the fan make TAZ the safest fan on the market.
- Warranty: (3) year warranty on the fan motor and ABB controller.

72" TAZ FAN

FEATURES, SPECIFICATIONS & MAXIMUM COVERAGE GUIDE

SPECIFICATIONS

Example Part Number: GFY-TAZ-72-460-3

Family	Style	Diameter	Voltage	Phase	Options
GFY	TAZ	72 (72" Fan Diameter)	230 ¹ 460 ¹	3 (Three) ¹	CP ² Custom Program Z ³ Z-Purlin WM _{Wall Mount Keypad} DS-1 ⁴ Designer Series DS-S ⁵ Stickers

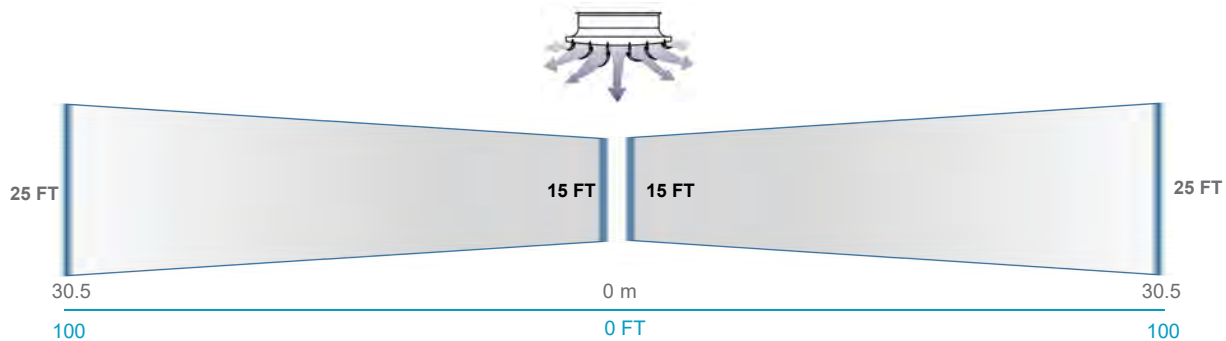
- 1) Number of Blades: 6
- 2) Min Mounting Height: Louvers 1 FT above tallest vehicle or movable obstruction
- 3) Maximum Cooling Distance: 200 FT
- 4) Maximum Destratification Diameter: 100 FT
- 5) Air Movement: 80,000 CFM
- 6) Blade Rotations Per Minute: 322 RPM
- 7) Nominal Motor: 3 HP (2.2kW)
- 8) Power Consumption: 2,200W@480V
- 9) Actual Amps: 4.1A@480V
- 10) System Weight: 375 lbs
- 11) Typical Mounting Distance between fans: 50 FT/380 FT
- 12) Clearance from solid roof surfaces or solid trusses: 6 FT
- 13) 48" - TAZ maximum height with louvers straight down
- 14) 78.5"x78.5" - TAZ fiberglass body size

FOOTNOTES:

- 1) Three Phase Only: 200-240 VAC 3 Phase | 380-480 VAC 3 Phase
- 2) Consult the factory as an extended lead time will apply. Customer's team and GFY's team must communicate so programming details may be identified. There may be additional hardware or software charges. Not all programming options may be available on every control.
- 3) Do NOT anchor TAZ fans directly to Z-Purlins. Z-Purlin applications require (4) Z-Purlin Kits, one for each fan anchor point. Contact the factory or a local structural engineer for mounting options.
- 4) Custom Color the (6) TAZ Louvers. All (6) Louvers must be the same color.
- 5) Custom Company Logo Stickers. (2) Stickers required. Customer must supply approved Adobe Illustrator (AI) file to produce the stickers.

Dual Direction Applications

(Dimensions shown are horizontal, not vertical)



Single Direction Applications

(Dimensions shown are horizontal, not vertical)

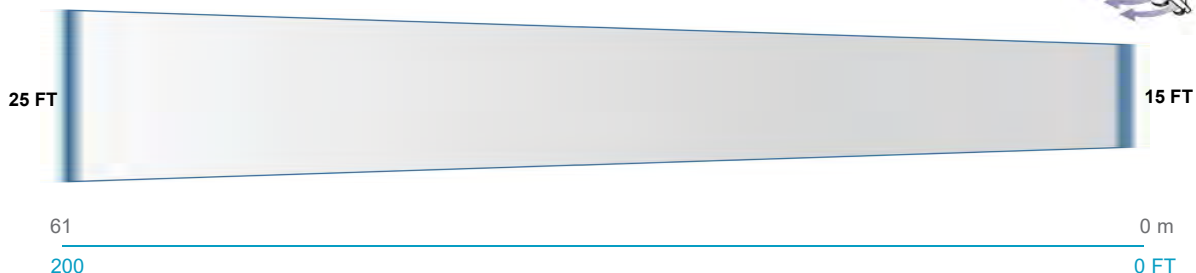


ABB ASC355 VFD Controller
200-240V 3 Phase
380-480V 3 Phase



Fan Control **ROHS**
COMPLIANT

- ABB Variable Frequency Drive Enclosure - Nema 4X (IP66).
- Special Wiring (Thermostats, Fire Alarm Interface, Networking, Etc.) (Optional) Consult Factory.
- 50 / 60 Hz Operation.
- All GFY Z-Tech™ Controls ship standard with an Early Suppression Fast Response Relay ready to connect to existing fire suppression systems.
- GFY Z-Tech™ Fan Controls ship standard with an integral Lock Out Tag Out Disconnect.
- ASC355 can run up to 25 fans from a single keypad (Additional wiring required).